



# PRODUCT CATALOGUE

S plastic sp. z.o.o.  
ul. Jaskótek 16  
43-215 Studzienice

Phone: +48 32 449 00 00

[WWW.SPLASTIC.PL](http://WWW.SPLASTIC.PL)

**S plastic sp. z.o.o.**  
**ul. Jaskólek 16**  
**43-215 Studzienice**

Phone: 32 449 00 00

### **Sales**

Phone: 32 449 00 00, ext. 21

Fax: 32 212 87 14

E-mail: [dms@splastic.pl](mailto:dms@splastic.pl)

### **Technology & Design**

Phone: 32 449 00 00, ext. 26

E-mail: [dtk@splastic.pl](mailto:dtk@splastic.pl)

### **Secretary's Office**

Phone: 32 449 00 00, ext. 23

E-mail: [sekretariat@splastic.pl](mailto:sekretariat@splastic.pl)

**[WWW.SPLASTIC.PL](http://WWW.SPLASTIC.PL)**

## TABLE OF CONTENTS

	PAGE
DUAL LAYER SPS STRUCTURED PIPES	5
PRESSURE PIPES	6
FITTINGS	7-9
PIPE ELBOWS	10-15
EQUAL TEES	16-17
CORNER TEES	18-19
REDUCING TEES	20-27
REDUCING FLANGED TEES	28-33
TAPPING TEES	34-39
REDUCERS	40-45
SHORT FLANGED BUSHES LONG	46-47
FLANGED BUSHES STEEL FLANGES	48-49
COVER PLUGS	50-51
LEAK-PROOF PENETRATION SLEEVES	52
FLAP VALVES	53-54
SR TYPE OIL/WATER SEPARATORSSRG	55-58
TYPE OIL/WATER SEPARATORS SRP TYPE	59-61
OIL/WATER SEPARATORS SRK TYPE	62-63
OIL/WATER SEPARATORS	64-65
GREASE SEPARATORS	67-69
PUMPING STATIONS	70-71
METER CHAMBERS	72-74
WASTEWATER TREATMENT SYSTEMS FOR HOUSEHOLDS	75
TANKS	77-79
PEHD BOARDS	80
WELDING RODS	81

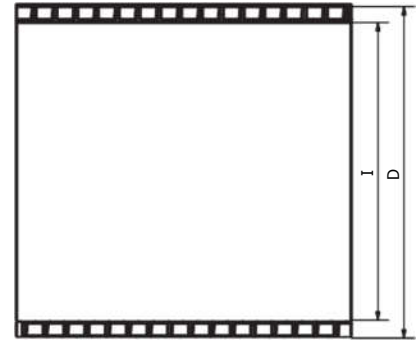
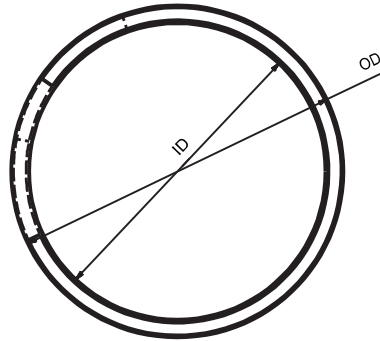


## DUAL LAYER SPS STRUCTURED PIPE

**Material:**  
PEHD

**Colour(s):**  
Black, grey

**Documents:**  
National Declaration of  
Performance



## SPS PIPES

### SN2

CODE	DN [mm]	OD [mm]
043 2 600	SPS 600	720
043 2 800	SPS 800	920
043 2 1000	SPS 1000	1120
043 2 1200	SPS 1200	1324
043 2 1400	SPS 1400	1548
043 2 1500	SPS 1500	1648
043 2 1600	SPS 1600	1708
043 2 1800	SPS 1800	1992
043 2 2000	SPS 2000	2232
043 2 2200	SPS 2200	2472
043 2 2400	SPS 2400	2672
043 2 2500	SPS 2500	2792
043 2 2600	SPS 2600	2912
043 2 2800	SPS 2800	3152
043 2 3000	SPS 3000	3360

### SN4

CODE	DN [mm]	OD [mm]
043 4 600	SPS 600	720
043 4 800	SPS 800	920
043 4 1000	SPS 1000	1140
043 4 1200	SPS 1200	1364
043 4 1400	SPS 1400	1588
043 4 1500	SPS 1500	1688
043 4 1600	SPS 1600	1808
043 4 1800	SPS 1800	2032
043 4 2000	SPS 2000	2272
043 4 2200	SPS 2200	2532
043 4 2400	SPS 2400	2740
043 4 2500	SPS 2500	2860
043 4 2600	SPS 2600	2960
043 4 2800	SPS 2800	3200
043 4 3000	SPS 3000	3408

### SN8

CODE	DN [mm]	OD [mm]
043 8 600	SPS 600	720
043 8 800	SPS 800	940
043 8 1000	SPS 1000	1148
043 8 1200	SPS 1200	1388
043 8 1400	SPS 1400	1632
043 8 1500	SPS 1500	1872
043 8 1600	SPS 1600	2100
043 8 1800	SPS 1800	2032
+043 8 2000	SPS 2000	2360
043 8 2200	SPS 2200	2600
043 8 2400	SPS 2400	2808
043 8 2500	SPS 2500	2916
043 8 2600	SPS 2600	3020
043 8 2800	SPS 2800	3260
043 8 3000	SPS 3000	3468

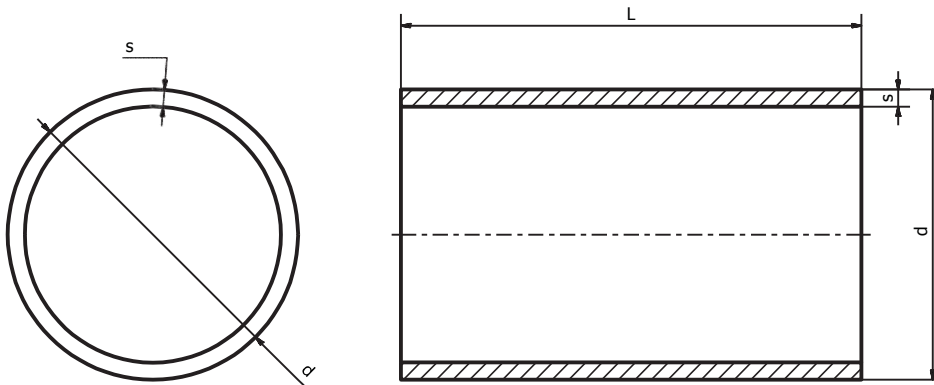
The above table contains standard sizes.  
Custom sizes / dimensions are also available.

**PN10 SDR17  
PRESSURE PIPE**

**Material:** PE 100  
**Colour(s):** Black, with a blue stripe  
**Operating pressure:** 10 Bar (SDR17 PN10)

**PN16 SDR11  
PRESSURE PIPE**

**Material:** PE 100  
**Colour(s):** Black, with a blue stripe  
**Operating pressure:** 16 Bar (SDR11 PN16)



**PRESSURE PIPES**

CODE	d [mm]	s [mm]
400 17 90	90	5.4
400 17 110	110	6.6
400 17 125	125	7.4
400 17 140	140	8.3
400 17 160	160	9.5
400 17 180	180	10.7
400 17 200	200	11.9
400 17 225	225	13.4
400 17 250	250	14.8
400 17 280	280	16.6
400 17 315	315	18.7
400 17 355	355	21.1
400 17 400	400	23.7
400 17 450	450	26.7
400 17 500	500	29.7
400 17 560	560	33.2
400 17 630	630	37.4

CODE	d [mm]	s [mm]
400 11 90	90	8.2
400 11 110	110	10
400 11 125	125	11.4
400 11 140	140	12.7
400 11 160	160	14.6
400 11 180	180	16.4
400 11 200	200	18.2
400 11 225	225	20.5
400 11 250	250	22.7
400 11 280	280	25.4
400 11 315	315	28.6
400 11 355	355	32.3
400 11 400	400	36.4
400 11 450	450	40.9
400 11 500	500	45.4
400 11 560	560	50.8
400 11 630	630	57.2

Pipes with other diameters and operating pressure values are available as custom products.

**PIPE ELBOW  
DESIGN  
1 - 35 DEGREES  
(1 WELDING POINT)**

**Material:** PE, PP

**Operating pressure:** calculations based on the pipe delivered

**PIPE ELBOW DESIGN  
36 - 70 DEGREES  
(2 WELDING POINTS)**

**Material:** PE, PP

**Operating pressure:** calculations based on the pipe delivered

**PIPE ELBOW DESIGN**

CODE	d [mm]
060 11 90 1	90
060 11 110 1	110
060 11 125 1	125
060 11 140 1	140
060 11 160 1	160
060 11 180 1	180
060 11 200 1	200
060 11 225 1	225
060 11 250 1	250
060 11 280 1	280
060 11 315 1	315
060 11 355 1	355
060 11 400 1	400
060 11 450 1	450
060 11 500 1	500
060 11 560 1	560
060 11 630 1	630
060 11 710 1	710
060 11 800 1	800

CODE	d [mm]
060 11 90 2	90
060 11 110 2	110
060 11 125 2	125
060 11 140 2	140
060 11 160 2	160
060 11 180 2	180
060 11 200 2	200
060 11 225 2	225
060 11 250 2	250
060 11 280 2	280
060 11 315 2	315
060 11 355 2	355
060 11 400 2	400
060 11 450 2	450
060 11 500 2	500
060 11 560 2	560
060 11 630 2	630
060 11 710 2	710
060 11 800 2	800

Standard elbows can be reinforced to match the nominal pressure rating of the pipe. Ask us for a quotation.

### PIPE ELBOW DESIGN 71 - 90 DEGREES (3 WELDING POINTS)

**Material:** PE, PP

**Operating pressure:** calculations based on the pipe delivered

#### ELBOW PIPE DESIGN

CODE	d [mm]
060 11 90 3	90
060 11 110 3	110
060 11 125 3	125
060 11 140 3	140
060 11 160 3	160
060 11 180 3	180
060 11 200 3	200
060 11 225 3	225
060 11 250 3	250
060 11 280 3	280
060 11 315 3	315
060 11 355 3	355
060 11 400 3	400
060 11 450 3	450
060 11 500 3	500
060 11 560 3	560
060 11 630 3	630
060 11 710 3	710
060 11 800 3	800

Standard elbows can be reinforced to match the nominal pressure rating of the pipe. Ask us for a quotation.

### TEE DESIGN 90 DEGREES

**Material:** PE, PP

**Operating pressure:** calculations based on the pipe delivered

#### TEE DESIGN

CODE	d [mm]
061 11 90	90
061 11 110	110
061 11 125	125
061 11 140	140
061 11 160	160
061 11 180	180
061 11 200	200
061 11 225	225
061 11 250	250
061 11 280	280
061 11 315	315
061 11 355	355
061 11 400	400
061 11 450	450
061 11 500	500
061 11 560	560
061 11 630	630
061 11 710	710
061 11 800	800

Standard tees can be reinforced to match the nominal pressure rating of the pipe. Ask us for a quotation.



## CORNER TEE DESIGN (45/60 DEGREES)

**Material:** PE, PP

**Operating pressure:** tee for pressure-free operation (gravity flow)

## TEE DESIGN

CODE	d [mm]
062 11 90	90
062 11 110	110
062 11 125	125
062 11 140	140
062 11 160	160
062 11 180	180
062 11 200	200
062 11 225	225
062 11 250	250
062 11 280	280
062 11 315	315
062 11 355	355
062 11 400	400
062 11 450	450
062 11 500	500
062 11 560	560
062 11 630	630
062 11 710	710
062 11 800	800

Standard tees can be reinforced to match the nominal pressure rating of the pipe. Ask us for a quotation.

**PN10 SDR17 ELBOW PIPE  
(1-35 DEGREES)**

**Material:** PE100

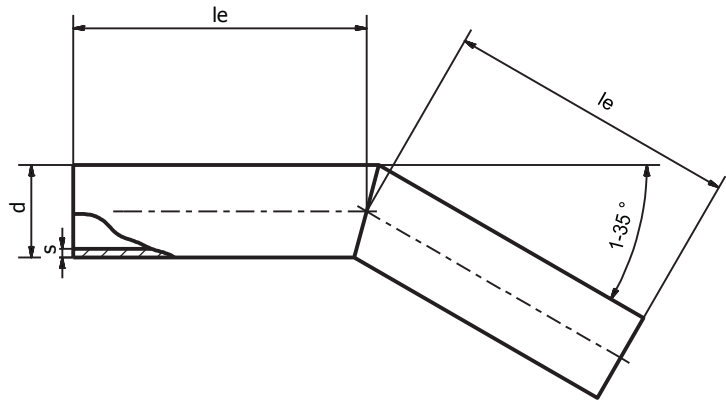
**Colour(s):** Black, with a blue stripe

**Operating pressure:** 8 Bar (SDR17 PN8)  
- A pressure reduction coefficient of 0.8 was applied.

Standard elbows can be reinforced to match the nominal pressure rating of the pipe. Ask us for a quotation.

**Standards:** PN-EN 12201-3+A1:2013  
Fittings approved by PZH (Polish Institute of Hygiene)

**Documents:**  
National Declaration of Performance



**ELBOW PIPE (1 - 35 DEGREES)**

CODE	d [mm]	le [mm]	s [mm]
001 17 90 ..	90	180	5.4
001 17 110 ..	110	180	6.6
001 17 125 ..	125	200	7.4
001 17 140 ..	140	200	8.3
001 17 160 ..	160	220	9.5
001 17 180 ..	180	220	10.7
001 17 200 ..	200	240	11.9
001 17 225 ..	225	240	13.4
001 17 250 ..	250	300	14.8
001 17 280 ..	280	300	16.6
001 17 315 ..	315	360	18.7
001 17 355 ..	355	400	21.1
001 17 400 ..	400	460	23.7
001 17 450 ..	450	520	26.7
001 17 500 ..	500	600	29.6
001 17 560 ..	560	700	33.2
01/01/2002 -	630	750	37.6
001 17 710 ..	710	800	42.1
001 17 800 ..	800	850	47.4
001 17 900 ..	900	*	53.3
001 17 1000 ..	1000	*	59.3

CODE: Remove the dots (..) and add the elbow degree.

\*Ask us for a quotation.

**PN10 SDR17 ELBOW PIPE  
(36 - 70 DEGREES)**

**Material:** PE100

**Colour(s):** Black, with a blue stripe

**Operating pressure:** 8 Bar (SDR17 PN8)

- A pressure reduction coefficient of 0.8 was applied.

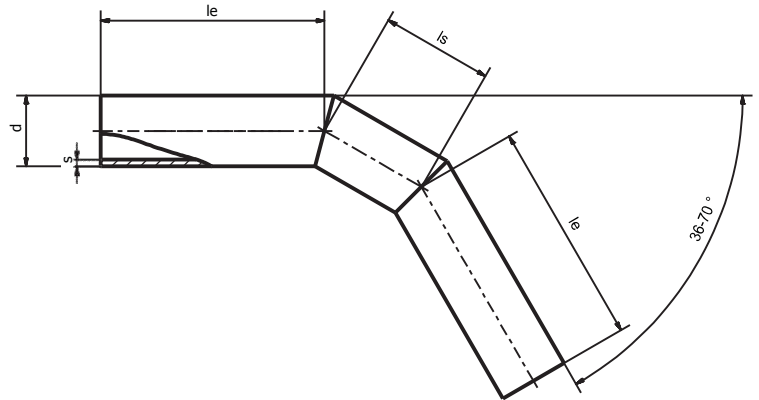
Standard elbows can be reinforced to match the nominal pressure rating of the pipe. Ask us for a quotation.

**Standards:** PN-EN 12201-3+A1:2013

Fittings approved by PZH (Polish Institute of Hygiene)

**Documents:**

National Declaration of Performance



**ELBOW PIPE (36 - 70 DEGREES)**

CODE	d [mm]	le [mm]	ls [mm]	s [mm]
001 17 90 ..	90	180	112	5.4
001 17 110 ..	110	180	121	6.6
001 17 125 ..	125	200	129	7.4
001 17 140 ..	140	200	134	8.3
001 17 160 ..	160	220	143	9.5
001 17 180 ..	180	220	151	10.7
001 17 200 ..	200	240	157	11.9
001 17 225 ..	225	240	172	13.4
001 17 250 ..	250	300	183	14.8
001 17 280 ..	280	300	195	16.6
001 17 315 ..	315	360	214	18.7
001 17 355 ..	355	400	265	21.1
001 17 400 ..	400	460	287	23.7
001 17 450 ..	450	520	270	26.7
001 17 500 ..	500	600	299	29.6
001 17 560 ..	560	700	331	33.2
001 17 630 ..	630	750	365	37.6
001 17 710 ..	710	800	800	42.1
001 17 800 ..	800	850	*	47.4
001 17 900 ..	900	*	*	53.3
001 17 1000 ..	1000	*	*	59.3

CODE: Remove the dots (..) and add the elbow degree.

\*Ask us for a quotation.

**ELBOW PIPE (71 - 90 DEGREES)  
PN10 SDR17**

**Material:** PE100

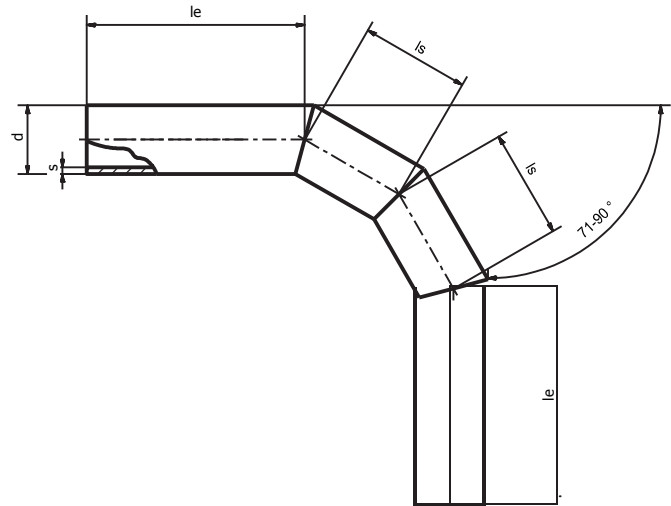
**Colour(s):** Black, with a blue stripe

**Operating pressure:** 8 Bar (SDR17 PN8)  
- A pressure reduction coefficient of 0.8 was applied.

Standard elbows can be reinforced to match the nominal pressure rating of the pipe. Ask us for a quotation.

**Standards:** PN-EN 12201-3+A1:2013  
Fittings approved by PZH (Polish Institute of Hygiene)

**Documents:**  
National Declaration of Performance



**ELBOW PIPE (71 - 90 DEGREES)**

CODE	d [mm]	le [mm]	ls [mm]	s [mm]
001 17 90 ..	90	180	112	5.4
001 17 110 ..	110	180	121	6.6
001 17 125 ..	125	200	129	7.4
001 17 140 ..	140	200	134	8.3
001 17 160 ..	160	220	143	9.5
001 17 180 ..	180	220	151	10.7
001 17 200 ..	200	240	157	11.9
001 17 225 ..	225	240	172	13.4
001 17 250 ..	250	300	183	14.8
001 17 280 ..	280	300	195	16.6
001 17 315 ..	315	360	214	18.7
001 17 355 ..	355	400	265	21.1
001 17 400 ..	400	460	287	23.7
001 17 450 ..	450	520	270	26.7
001 17 500 ..	500	600	299	29.6
001 17 560 ..	560	700	331	33.2
001 17 630 ..	630	750	365	37.6
001 17 710 ..	710	800	800	42.1
001 17 800 ..	800	850	*	47.4
001 17 900 ..	900	*	*	53.3
001 17 1000 ..	1000	*	*	59.3

CODE: Remove the dots (..) and add the elbow degree.

\*Ask us for a quotation.

**PN16 SDR11 ELBOW PIPE  
(1 - 35 DEGREES)**

**Material:** PE100

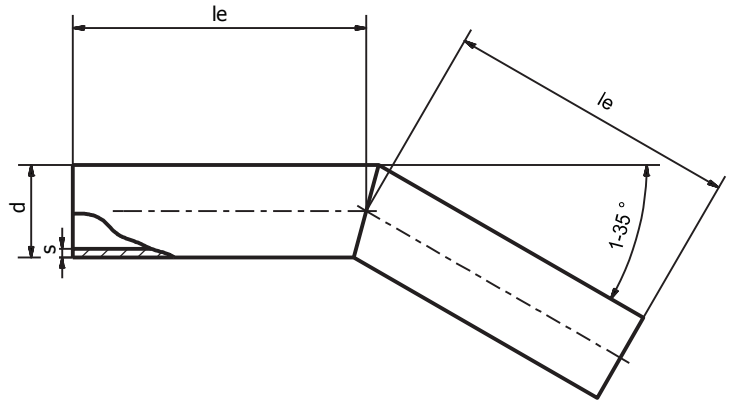
**Colour(s):** Black, with a blue stripe

**Operating pressure:** 12.8 Bar (SDR11 PN 12.8)  
- A pressure reduction coefficient of 0.8 was applied.

Standard elbows can be reinforced to match the nominal pressure rating of the pipe. Ask us for a quotation.

**Standards:** PN-EN 12201-3+A1:2013  
Fittings approved by PZH (Polish Institute of Hygiene)

**Documents:**  
National Declaration of Performance



**ELBOW PIPE (1 - 35 DEGREES)**

CODE	d [mm]	le [mm]	s [mm]
001 11 90 ..	90	180	8.2
001 11 110 ..	110	180	10,0
001 11 125 ..	125	200	11.4
001 11 140 ..	140	200	12.8
001 11 160 ..	160	220	14.6
001 11 180 ..	180	220	16.4
001 11 200 ..	200	240	18.2
001 11 225 ..	225	240	20.5
001 11 250 ..	250	300	22.8
001 11 280 ..	280	300	25.5
001 11 315 ..	315	360	28.7
001 11 355 ..	355	400	32.3
001 11 400 ..	400	460	36.4
001 11 450 ..	450	520	41.0
001 11 500 ..	500	600	45.4
001 11 560 ..	560	700	51.0
001 11 630 ..	630	750	15
001 11 710 ..	710	800	64.5
001 11 800 ..	800	850	72.7
001 11 900 ..	900	*	81.8
001 11 1000 ..	1000	*	90.9

CODE: Remove the dots (..) and add the elbow degree.

\* Ask us for a quotation.

**PN16 SDR11 ELBOW PIPE  
(36 - 70 DEGREES)**

**Material:** PE100

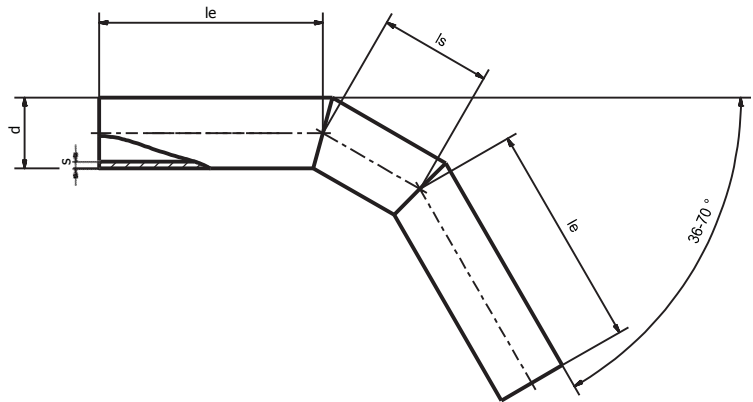
**Colour(s):** Black, with a blue stripe

**Operating pressure:** 12.8 Bar (SDR11 PN 12.8)  
- A pressure reduction coefficient of 0.8 was applied.

Standard elbows can be reinforced to match the nominal pressure rating of the pipe. Ask us for a quotation.

**Standards:** PN-EN 12201-3+A1:2013  
Fittings approved by PZH (Polish Institute of Hygiene)

**Documents:**  
National Declaration of Performance



**ELBOW PIPE (36 - 70 DEGREES)**

CODE	d [mm]	le [mm]	ls [mm]	s [mm]
001 11 90 ..	90	180	112	8.2
001 11 110 ..	110	180	121	10.0
001 11 125 ..	125	200	129	11.4
001 11 140 ..	140	200	134	12.8
001 11 160 ..	160	220	143	14.6
001 11 180 ..	180	220	151	16.4
001 11 200 ..	200	240	157	18.2
001 11 225 ..	225	240	172	20.5
001 11 250 ..	250	300	183	22.8
001 11 280 ..	280	300	195	25.5
001 11 315 ..	315	360	214	28.7
001 11 355 ..	355	400	265	32.3
001 11 400 ..	400	460	287	36.4
001 11 450 ..	450	520	270	41.0
001 11 500 ..	500	600	299	45.4
001 11 560 ..	560	700	331	51.0
001 11 630 ..	630	750	365	15
001 11 710 ..	710	800	800	64.5
001 11 800 ..	800	850	*	72.7
001 11 900 ..	900	*	*	81.8
001 11 1000 ..	1000	*	*	90.9

CODE: Remove the dots (..) and add the elbow degree.

\*Ask us for a quotation.

**ELBOW PIPE (71 - 90 DEGREES)  
PN16 SDR11**

**Material:** PE100

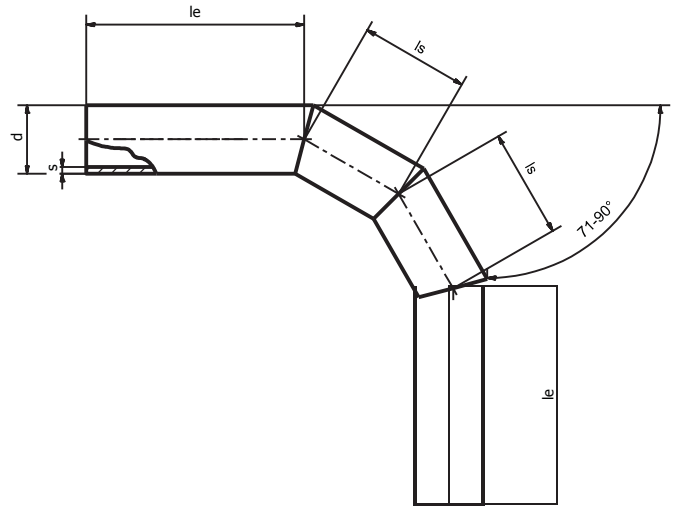
**Colour(s):** Black, with a blue stripe

**Operating pressure:** 12.8 Bar (SDR11 PN 12.8)  
- A pressure reduction coefficient of 0.8 was applied.

Standard elbows can be reinforced to match the nominal pressure rating of the pipe.  
Ask us for a quotation.

**Standards:** PN-EN 12201-3+A1:2013  
Fittings approved by PZH (Polish Institute of Hygiene)

**Documents:**  
National Declaration of Performance



**ELBOW PIPE (71 - 90 DEGREES)**

CODE	d [mm]	le [mm]	ls [mm]	s [mm]
001 11 90 ..	90	180	112	8.2
001 11 110 ..	110	180	121	10.0
001 11 125 ..	125	200	129	11.4
001 11 140 ..	140	200	134	12.8
001 11 160 ..	160	220	143	14.6
001 11 180 ..	180	220	151	16.4
001 11 200 ..	200	240	157	18.2
001 11 225 ..	225	240	172	20.5
001 11 250 ..	250	300	183	22.8
001 11 280 ..	280	300	195	25.5
001 11 315 ..	315	360	214	28.7
001 11 355 ..	355	400	265	32.3
001 11 400 ..	400	460	287	36.4
001 11 450 ..	450	520	270	41.0
001 11 500 ..	500	600	299	45.4
001 11 560 ..	560	700	331	51.0
001 11 630 ..	630	750	365	57.3
001 11 710 ..	710	800	800	64.5
001 11 800 ..	800	850	*	72.7
001 11 900 ..	900	*	*	81.8
001 11 1000 ..	1000	*	*	90.9

CODE: Remove the dots (..) and add the elbow degree.

\*Ask us for a quotation.

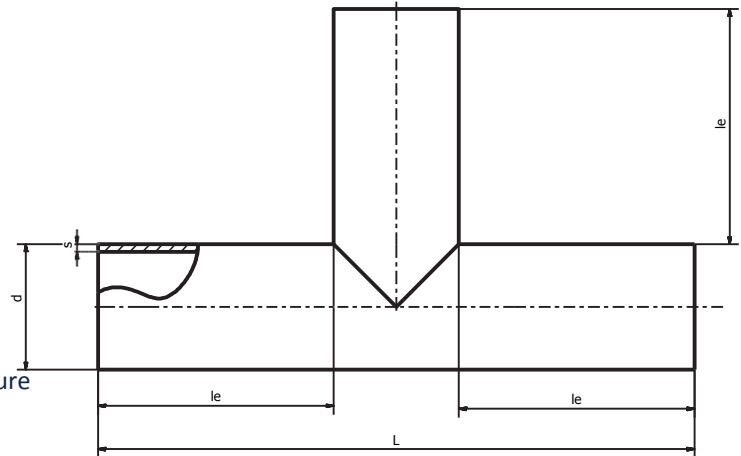
**EQUAL TEE  
PN10 SDR17 (90 DEGREES)**
**Material:** PE100

**Colour(s):** Black, with a blue stripe

**Operating pressure:** 6 Bar (SDR17 PN6)  
 - A pressure reduction coefficient of 0.6 was applied.

Standard tees can be reinforced to match the nominal pressure rating of the pipe. Ask us for a quotation.

**Standards:** PN-EN 12201-3+A1:2013  
 Fittings approved by PZH (Polish Institute of Hygiene)

**Documents:**  
 National Declaration of Performance

**EQUAL TEE**

CODE	d [mm]	le [mm]	L [mm]	s [mm]
003 17 90 90	90	180	450	5.4
003 17 110 90	110	180	470	6.6
003 17 125 90	125	200	525	7.4
003 17 140 90	140	200	540	8.3
003 17 160 90	160	220	600	9.5
003 17 180 90	180	220	620	10.7
003 17 200 90	200	240	680	11.9
003 17 225 90	225	240	705	13.4
003 17 250 90	250	300	850	14.8
003 17 280 90	280	300	880	16.6
003 17 315 90	315	360	1035	18.7
003 17 355 90	355	400	1155	21.1
003 17 400 90	400	460	1320	23.7
003 17 450 90	450	520	1490	26.7
003 17 500 90	500	600	1700	29.6
003 17 560 90	560	950	2460	33.2
003 17 630 90	630	950	2530	37.4
003 17 710 90	710	1050	2810	42.1
003 17 800 90	800	1050	2900	47.4

\* Ask us for a quotation.



**EQUAL TEE  
PN16 SDR11 (90 DEGREES)**

**Material:** PE100

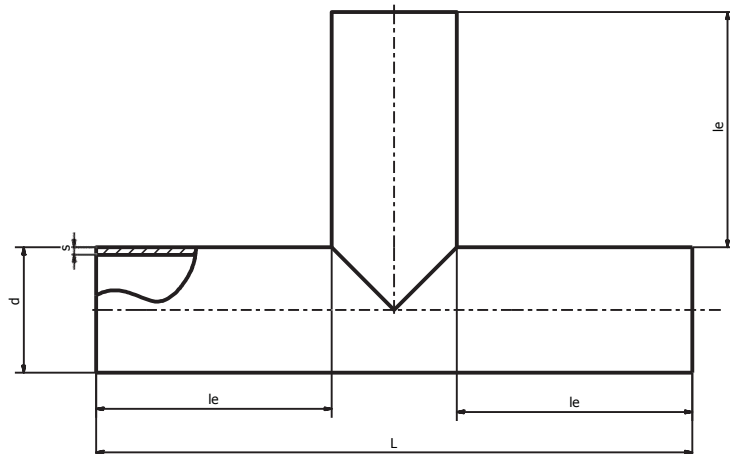
**Colour(s):** Black, with a blue stripe

**Operating pressure:** 9.6 Bar (SDR11 PN 9.6)  
- A pressure reduction coefficient of 0.6 was applied.

Standard tees can be reinforced to match the nominal pressure rating of the pipe. Ask us for a quotation.

**Standards:** PN-EN 12201-3+A1:2013  
Fittings approved by PZH (Polish Institute of Hygiene)

**Documents:**  
National Declaration of Performance



**EQUAL TEE**

CODE	d [mm]	le [mm]	L [mm]	s [mm]
003 11 90 90	90	180	450	8.2
003 11 110 90	110	180	470	10.0
003 11 125 90	125	200	525	11.4
003 11 140 90	140	200	540	12.8
003 11 160 90	160	220	600	14.6
003 11 180 90	180	220	620	16.4
003 11 200 90	200	240	680	18.2
003 11 225 90	225	240	705	20.5
003 11 250 90	250	300	850	22.8
003 11 280 90	280	300	880	25.5
003 11 315 90	315	360	1035	28.7
003 11 355 90	355	400	1155	32.3
003 11 400 90	400	460	1320	36.4
003 11 450 90	450	520	1490	41.0
003 11 500 90	500	600	1700	45.4
003 11 560 90	560	950	2460	50.8
003 11 630 90	630	950	2530	57.2
003 11 710 90	710	1050	2810	64.5
003 11 800 90	800	1050	2900	72.7

\* Ask us for a quotation.

**PN10 SDR17 CORNER TEE  
(45/60 DEGREES)**

**Material:** PE100

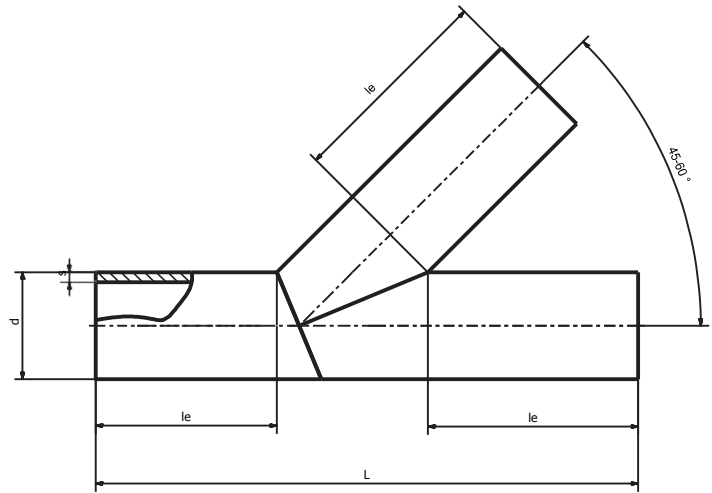
**Colour(s):** Black, with a blue stripe

**Operating pressure:** for pressure-free applications (gravity flow)

Standard elbows can be reinforced to match the nominal pressure rating of the pipe. Ask us for a quotation.

**Standards:** PN-EN 12201-3+A1:2013  
Fittings approved by PZH (Polish Institute of Hygiene)

**Documents:**  
National Declaration of Performance



**CORNER TEE**

CODE	d [mm]	le [mm]	L [mm]	s [mm]
004 17 90 ..	90	180	495	5.4
004 17 110 ..	110	180	525	6.6
004 17 125 ..	125	200	588	7.4
004 17 140 ..	140	200	610	8.3
004 17 160 ..	160	220	680	9.5
004 17 180 ..	180	220	710	10.7
004 17 200 ..	200	240	780	11.9
004 17 225 ..	225	240	818	13.4
004 17 250 ..	250	300	975	14.8
004 17 280 ..	280	300	1000	16.6
004 17 315 ..	315	360	1200	18.7
004 17 355 ..	355	400	1400	21.1
004 17 400 ..	400	460	1600	23.7
004 17 450 ..	450	520	2000	26.7
004 17 500 ..	500	600	2200	29.6
004 17 560 ..	560	700	2600	33.2
004 17 630 ..	630	750	2800	37.4
004 17 710 ..	710	*	*	42.1
004 17 800 ..	800	*	*	47.4

CODE: Remove the dots (..) and add the elbow degree.

\*Ask us for a quotation.

## PN16 SDR11 CORNER TEE (45/60 DEGREES)

**Material:** PE100

**Colour(s):** Black, with a blue stripe

**Operating pressure:** for pressure-free applications  
(gravity flow)

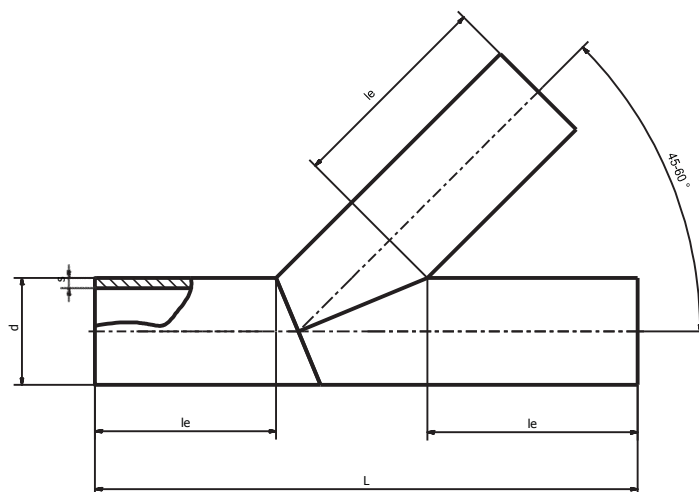
Standard elbows can be reinforced to match the nominal pressure rating of the pipe. Ask us for a quotation.

**Standards:** PN-EN 12201-3+A1:2013

Fittings approved by PZH (Polish Institute of Hygiene)

**Documents:**

National Declaration of Performance



## CORNER TEE

CODE	d [mm]	le [mm]	L [mm]	s [mm]
004 11 90 ..	90	180	495	8.2
004 11 110 ..	110	180	525	10.0
004 11 125 ..	125	200	588	11.4
004 11 140 ..	140	200	610	12.8
004 11 160 ..	160	220	680	14.6
004 11 180 ..	180	220	710	16.4
004 11 200 ..	200	240	780	18.2
004 11 225 ..	225	240	818	20.5
004 11 250 ..	250	300	975	22.8
004 11 280 ..	280	300	1000	25.5
004 11 315 ..	315	360	1200	28.7
004 11 355 ..	355	400	1400	32.3
004 11 400 ..	400	460	1600	36.4
004 11 450 ..	450	520	2000	41.0
004 11 500 ..	500	600	2200	45.4
004 11 560 ..	560	700	2600	50.8
004 11 630 ..	630	750	2800	57.2
004 11 710 ..	710	*	*	64.5
004 11 800 ..	800	*	*	72.7

CODE: Remove the dots (..) and add the elbow degree.

\*Ask us for a quotation.

## REDUCING TEE (90 DEGREES) PN10 SDR17

**Material:** PE100

**Colour(s):** Black, with a blue stripe

**Operating pressure:** 6 Bar (SDR17 PN6)

- A pressure reduction coefficient of 0.6 was applied.

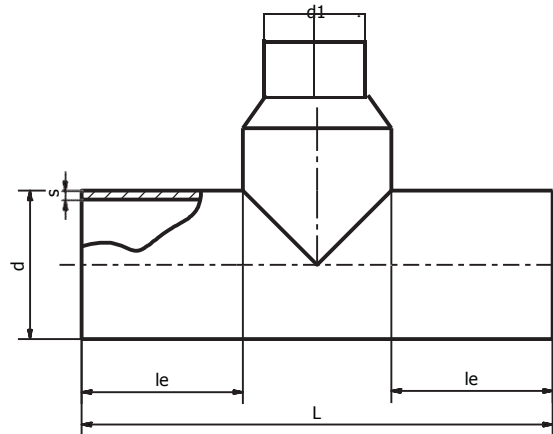
Standard tees can be reinforced to match the nominal pressure rating of the pipe. Ask us for a quotation.

### Documents:

National Declaration of Performance

**Standards:** PN-EN 12201-3+A1:2013

Fittings approved by PZH (Polish Institute of Hygiene)



## REDUCING TEE

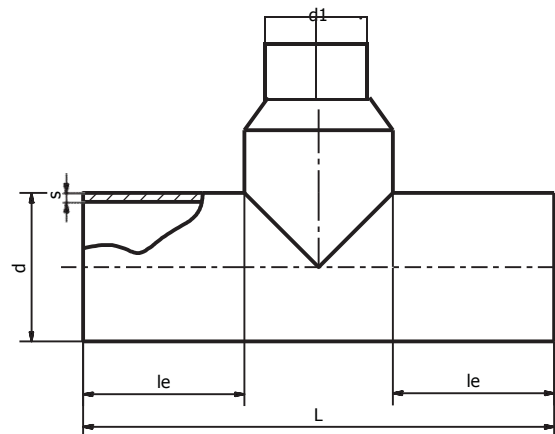
CODE	d [mm]	d1 [mm]	le [mm]	L [mm]	s [mm]
006 17 906390	90	63	180	450	5.4
006 17 11050110	110	50	180	470	6.6
006 17 11063110	110	63	180	470	6.6
006 17 11075110	110	75	180	470	6.6
006 17 11090110	110	90	180	470	6.6
006 17 12563125	125	63	200	525	7.4
006 17 12575125	125	75	200	525	7.4
006 17 12590125	125	90	200	525	7.4
006 17 125110125	125	110	200	525	7.4
006 17 14063140	140	63	200	540	8.3
006 17 14075140	140	75	200	540	8.3
006 17 14090140	140	90	200	540	8.3
006 17 140110140	140	110	200	540	8.3
006 17 140125140	140	125	200	540	8.3
006 17 16050160	160	50	220	600	9.5
006 17 16063160	160	63	220	600	9.5
006 17 16075160	160	75	220	600	9.5
006 17 16090160	160	90	220	600	9.5
006 17 160110160	160	110	220	600	9.5
006 17 160125160	160	125	220	600	9.5
006 17 160140160	160	140	220	600	9.5
006 17 18063180	180	63	220	620	10.7
006 17 18075180	180	75	220	620	10.7
006 17 18090180	180	90	220	620	10.7
006 17 180110180	180	110	220	620	10.7
006 17 180125180	180	125	220	620	10.7
006 17 180140180	180	140	220	620	10.7
006 17 180160180	180	160	220	620	10.7

**REDUCING TEE (90 DEGREES)  
PN10 SDR17**

**Material:** PE100  
**Colour(s):** Black, with a blue stripe  
**Operating pressure:** 6 Bar (SDR17 PN6)  
 - A pressure reduction coefficient of 0.6 was applied.

Standard tees can be reinforced to match the nominal pressure rating of the pipe. Ask us for a quotation.

**Documents:**  
 National Declaration of Performance  
**Standards:** PN-EN 12201-3+A1:2013  
 Fittings approved by PZH (Polish Institute of Hygiene)



**REDUCING TEE**

CODE	d [mm]	d1 [mm]	le [mm]	L [mm]	s [mm]
006 17 20090200	200	90	240	680	11.9
006 17 200110200	200	110	240	680	11.9
006 17 200125200	200	125	240	680	11.9
006 17 200140200	200	140	240	680	11.9
006 17 200160200	200	160	240	680	11.9
006 17 200180200	200	180	240	680	11.9
006 17 22563225	225	63	240	705	13.4
006 17 22575225	225	75	240	705	13.4
006 17 22590225	225	90	240	705	13.4
006 17 225110225	225	110	240	705	13.4
006 17 225125225	225	125	240	705	13.4
006 17 225140225	225	140	240	705	13.4
006 17 225160225	225	160	240	705	13.4
006 17 225180225	225	180	240	705	13.4
006 17 225200225	225	200	240	705	13.4
006 17 25063250	250	63	300	850	14.8
006 17 25075250	250	75	300	850	14.8
006 17 25090250	250	90	300	850	14.8
006 17 250110250	250	110	300	850	14.8
006 17 250125250	250	125	300	850	14.8
006 17 250140250	250	140	300	850	14.8
006 17 250160250	250	160	300	850	14.8
006 17 250180250	250	180	300	850	14.8
006 17 250200250	250	200	300	850	14.8
006 17 250225250	250	225	300	850	14.8
006 17 28063280	280	63	300	880	16.6
006 17 28075280	280	75	300	880	16.6
006 17 28090280	280	90	300	880	16.6
006 17 280110280	280	110	300	880	16.6
006 17 280125280	280	125	300	880	16.6
006 17 280140280	280	140	300	880	16.6
006 17 280160280	280	160	300	880	16.6
006 17 280180280	280	180	300	880	16.6
006 17 280200280	280	200	300	880	16.6
006 17 280225280	280	225	300	880	16.6

## REDUCING TEE (90 DEGREES) PN10 SDR17

**Material:** PE100

**Colour(s):** Black, with a blue stripe

**Operating pressure:** 6 Bar (SDR17 PN6)

- A pressure reduction coefficient of 0.6 was applied.

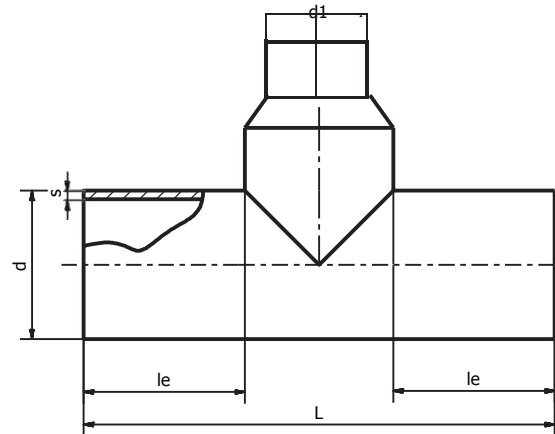
Standard tees can be reinforced to match the nominal pressure rating of the pipe. Ask us for a quotation.

### Documents:

National Declaration of Performance

**Standards:** PN-EN 12201-3+A1:2013

Fittings approved by PZH (Polish Institute of Hygiene)



## REDUCING TEE

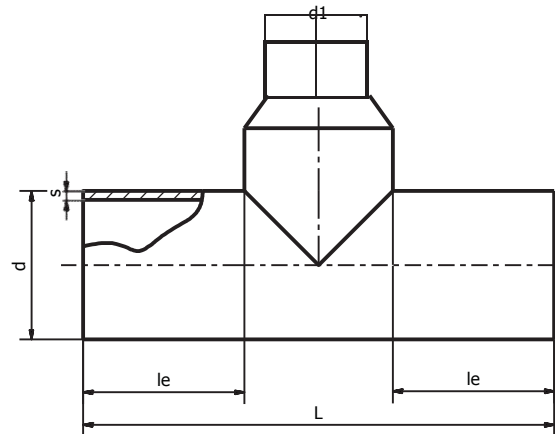
CODE	d [mm]	d1 [mm]	le [mm]	L [mm]	s [mm]
006 17 280140280	280	140	300	880	16.6
006 17 280160280	280	160	300	880	16.6
006 17 280180280	280	180	300	880	16.6
006 17 280200280	280	200	300	880	16.6
006 17 280225280	280	225	300	880	16.6
006 17 280250280	280	250	300	880	16.6
006 17 31563315	315	63	360	1035	18.7
006 17 31575315	315	75	360	1035	18.7
006 17 31590315	315	90	360	1035	18.7
006 17 315110315	315	110	360	1035	18.7
006 17 315125315	315	125	360	1035	18.7
006 17 315140315	315	140	360	1035	18.7
006 17 315160315	315	160	360	1035	18.7
006 17 315180315	315	180	360	1035	18.7
006 17 315200315	315	200	360	1035	18.7
006 17 315225315	315	225	360	1035	18.7
006 17 315250315	315	250	360	1035	18.7
006 17 315280315	315	280	360	1035	18.7
006 17 35590355	355	90	400	1155	21.4
006 17 355110355	355	110	400	1155	21.4
006 17 355125355	355	125	400	1155	21.4
006 17 355140355	355	140	400	1155	21.4
006 17 355160355	355	160	400	1155	21.4
006 17 355180355	355	180	400	1155	21.4
006 17 355200355	355	200	400	1155	21.4
006 17 355225355	355	225	400	1155	21.4
006 17 355250355	355	250	400	1155	21.4
006 17 355280355	355	280	400	1155	21.4

**REDUCING TEE (90 DEGREES)  
PN10 SDR17**

**Material:** PE100  
**Colour(s):** Black, with a blue stripe  
**Operating pressure:** 6 Bar (SDR17 PN6)  
 - A pressure reduction coefficient of 0.6 was applied.

Standard tees can be reinforced to match the nominal pressure rating of the pipe. Ask us for a quotation.

**Documents:**  
 National Declaration of Performance  
**Standards:** PN-EN 12201-3+A1:2013  
 Fittings approved by PZH (Polish Institute of Hygiene)



**REDUCING TEE**

CODE	d [mm]	d1 [mm]	le [mm]	L [mm]	s [mm]
006 17 400110400	400	110	460	1320	23.7
006 17 400125400	400	125	460	1320	23.7
006 17 400140400	400	140	460	1320	23.7
006 17 400160400	400	160	460	1320	23.7
006 17 400180400	400	180	460	1320	23.7
006 17 400200400	400	200	460	1320	23.7
006 17 400225400	400	225	460	1320	23.7
006 17 400250400	400	250	460	1320	23.7
006 17 400280400	400	280	460	1320	23.7
006 17 400315400	400	315	460	1320	23.7
006 17 400355400	400	355	460	1320	23.7

## REDUCING TEE (90 DEGREES) PN16 SDR11

**Material:** PE100

**Colour(s):** Black, with a blue stripe

**Operating pressure:** 9.6 Bar (SDR11 PN 9.6)

- A pressure reduction coefficient of 0.6 was applied.

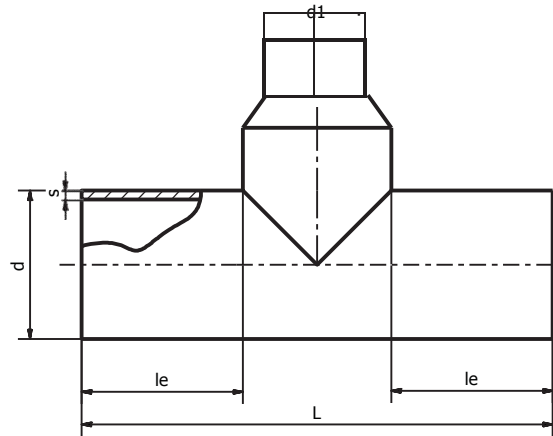
Standard tees can be reinforced to match the nominal pressure rating of the pipe. Ask us for a quotation.

**Documents:**

National Declaration of Performance

**Standards:** PN-EN 12201-3+A1:2013

Fittings approved by PZH (Polish Institute of Hygiene)



## REDUCING TEE

CODE	d [mm]	d1 [mm]	le [mm]	L [mm]	s [mm]
006 11 906390	90	63	180	450	8.2
006 11 11050110	110	50	180	470	10
006 11 11063110	110	63	180	470	10
006 11 11075110	110	75	180	470	10
006 11 11090110	110	90	180	470	10
006 11 12563125	125	63	200	525	11.4
006 11 12575125	125	75	200	525	11.4
006 11 12590125	125	90	200	525	11.4
006 11 125110125	125	110	200	525	11.4
006 11 14063140	140	63	200	540	12.8
006 11 14075140	140	75	200	540	12.8
006 11 14090140	140	90	200	540	12.8
006 11 140110140	140	110	200	540	12.8
006 11 140125140	140	125	200	540	12.8
006 11 16050160	160	50	220	600	14.6
006 11 16063160	160	63	220	600	14.6
006 11 16075160	160	75	220	600	14.6
006 11 16090160	160	90	220	600	14.6
006 11 160110160	160	110	220	600	14.6
006 11 160125160	160	125	220	600	14.6
006 11 160140160	160	140	220	600	14.6
006 11 18063180	180	63	220	620	16.4
006 11 18075180	180	75	220	620	16.4
006 11 18090180	180	90	220	620	16.4
006 11 180110180	180	110	220	620	16.4
006 11 180125180	180	125	220	620	16.4
006 11 180140180	180	140	220	620	16.4
006 11 180160180	180	160	220	620	16.4

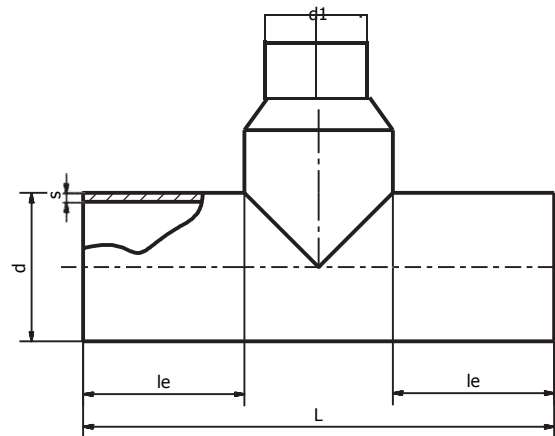


**REDUCING TEE (90 DEGREES)  
PN16 SDR11**

**Material:** PE100  
**Colour(s):** Black, with a blue stripe  
**Operating pressure:** 9.6 Bar (SDR11 PN 9.6)  
 - A pressure reduction coefficient of 0.6 was applied.

Standard tees can be reinforced to match the nominal pressure rating of the pipe. Ask us for a quotation.

**Documents:**  
 National Declaration of Performance  
**Standards:** PN-EN 12201-3+A1:2013  
 Fittings approved by PZH (Polish Institute of Hygiene)



**REDUCING TEE**

CODE	d [mm]	d1 [mm]	le [mm]	L [mm]	s [mm]
006 11 20090200	200	90	240	680	18.2
006 11 200110200	200	110	240	680	18.2
006 11 200125200	200	125	240	680	18.2
006 11 200140200	200	140	240	680	18.2
006 11 200160200	200	160	240	680	18.2
006 11 200180200	200	180	240	680	18.2
006 11 22563225	225	63	240	705	20.5
006 11 22575225	225	75	240	705	20.5
006 11 22590225	225	90	240	705	20.5
006 11 225110225	225	110	240	705	20.5
006 11 225125225	225	125	240	705	20.5
006 11 225140225	225	140	240	705	20.5
006 11 225160225	225	160	240	705	20.5
006 11 225180225	225	180	240	705	20.5
006 11 225200225	225	200	240	705	20.5
006 11 25063250	250	63	300	850	22.8
006 11 25075250	250	75	300	850	22.8
006 11 25090250	250	90	300	850	22.8
006 11 250110250	250	110	300	850	22.8
006 11 250125250	250	125	300	850	22.8
006 11 250140250	250	140	300	850	22.8
006 11 250160250	250	160	300	850	22.8
006 11 250180250	250	180	300	850	22.8
006 11 250200250	250	200	300	850	22.8
006 11 250225250	250	225	300	850	22.8
006 11 28063280	280	63	300	880	25.5
006 11 28075280	280	75	300	880	25.5
006 11 28090280	280	90	300	880	25.5
006 11 280110280	280	110	300	880	25.5
006 11 280125280	280	125	300	880	25.5
006 11 280140280	280	140	300	880	25.5
006 11 280160280	280	160	300	880	25.5
006 11 280180280	280	180	300	880	25.5
006 11 280200280	280	200	300	880	25.5
006 11 280225280	280	225	300	880	25.5

## REDUCING TEE (90 DEGREES) PN16 SDR11

**Material:** PE100

**Colour(s):** Black, with a blue stripe

**Operating pressure:** 9.6 Bar (SDR11 PN 9.6)

- A pressure reduction coefficient of 0.6 was applied.

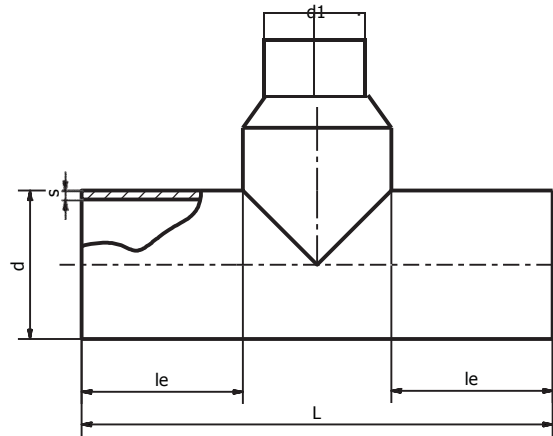
Standard tees can be reinforced to match the nominal pressure rating of the pipe. Ask us for a quotation.

**Documents:**

National Declaration of Performance

**Standards:** PN-EN 12201-3+A1:2013

Fittings approved by PZH (Polish Institute of Hygiene)



## REDUCING TEE

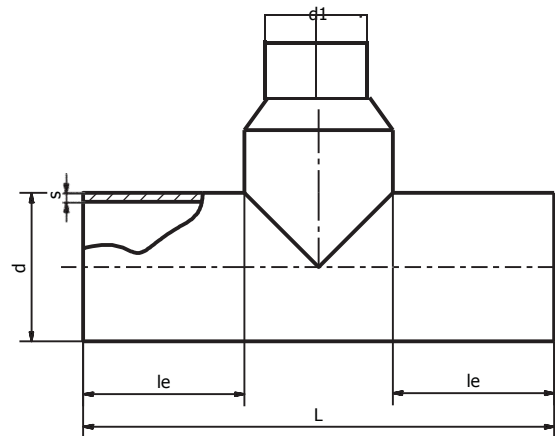
CODE	d [mm]	d1 [mm]	le [mm]	L [mm]	s [mm]
006 11 280140280	280	140	300	880	25.5
006 11 280160280	280	160	300	880	25.5
006 11 280180280	280	180	300	880	25.5
006 11 280200280	280	200	300	880	25.5
006 11 280225280	280	225	300	880	25.5
006 11 280250280	280	250	300	880	25.5
006 11 31563315	315	63	360	1035	28.7
006 11 31575315	315	75	360	1035	28.7
006 11 31590315	315	90	360	1035	28.7
006 11 315110315	315	110	360	1035	28.7
006 11 315125315	315	125	360	1035	28.7
006 11 315140315	315	140	360	1035	28.7
006 11 315160315	315	160	360	1035	28.7
006 11 315180315	315	180	360	1035	28.7
006 11 315200315	315	200	360	1035	28.7
006 11 315225315	315	225	360	1035	28.7
006 11 315250315	315	250	360	1035	28.7
006 11 315280315	315	280	360	1035	28.7
006 11 35590355	355	90	400	1155	32.3
006 11 355110355	355	110	400	1155	32.3
006 11 355125355	355	125	400	1155	32.3
006 11 355140355	355	140	400	1155	32.3
006 11 355160355	355	160	400	1155	32.3
006 11 355180355	355	180	400	1155	32.3
006 11 355200355	355	200	400	1155	32.3
006 11 355225355	355	225	400	1155	32.3
006 11 355250355	355	250	400	1155	32.3
006 11 355280355	355	280	400	1155	32.3

**REDUCING TEE (90 DEGREES)  
PN16 SDR11**

**Material:** PE100  
**Colour(s):** Black, with a blue stripe  
**Operating pressure:** 9.6 Bar (SDR11 PN 9.6)  
 - A pressure reduction coefficient of 0.6 was applied.

Standard tees can be reinforced to match the nominal pressure rating of the pipe. Ask us for a quotation.

**Documents:**  
 National Declaration of Performance  
**Standards:** PN-EN 12201-3+A1:2013  
 Fittings approved by PZH (Polish Institute of Hygiene)



**REDUCING TEE**

CODE	d [mm]	d1 [mm]	le [mm]	L [mm]	s [mm]
006 11 400110400	400	110	460	1320	36.4
006 11 400125400	400	125	460	1320	36.4
006 11 400140400	400	140	460	1320	36.4
006 11 400160400	400	160	460	1320	36.4
006 11 400180400	400	180	460	1320	36.4
006 11 400200400	400	200	460	1320	36.4
006 11 400225400	400	225	460	1320	36.4
006 11 400250400	400	250	460	1320	36.4
006 11 400280400	400	280	460	1320	36.4
006 11 400315400	400	315	460	1320	36.4
006 11 400355400	400	355	460	1320	36.4

## 1-FLANGE PN 10 SDR17 REDUCING TEE (90 DEGREES)

**Material:** PE100

**Colour(s):** Black, with a blue stripe

**Operating pressure:** 6 Bar (SDR17 PN6)

- A pressure reduction coefficient of 0.6 was applied.

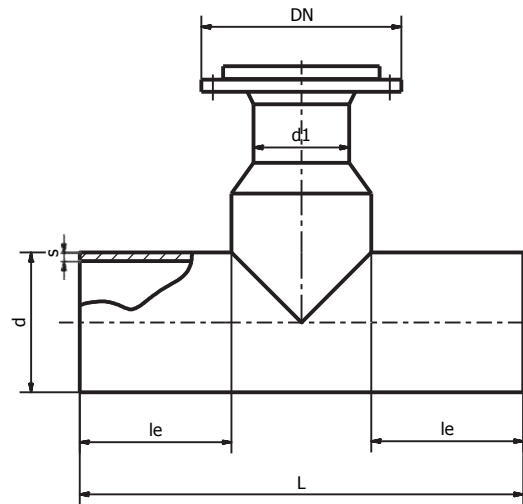
Standard tees can be reinforced to match the nominal pressure rating of the pipe. Ask us for a quotation.

**Documents:**

National Declaration of Performance

**Standards:** PN-EN 12201-3+A1:2013

Fittings approved by PZH (Polish Institute of Hygiene)



## 1-FLANGE REDUCING TEE

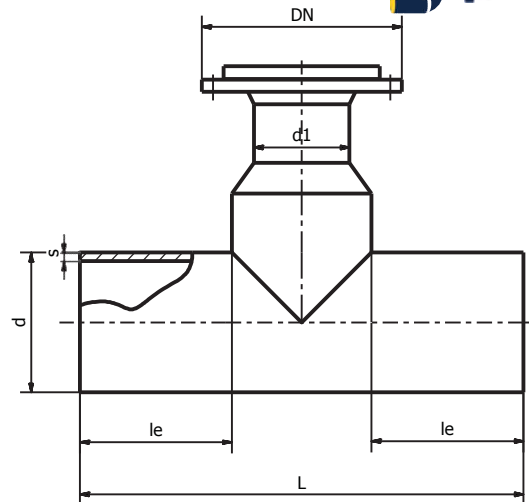
CODE	d [mm]	d1 [mm]	DN (flange) [mm]	le [mm]	L [mm]	s [mm]
005 17 905090	90	63	50	180	450	5.4
005 17 11040110	110	50	40	180	470	6.6
005 17 11050110	110	63	50	180	470	6.6
005 17 11065110	110	75	65	180	470	6.6
005 17 11080110	110	90	80	180	470	6.6
005 17 12550125	125	63	50	200	525	7.4
005 17 12565125	125	75	65	200	525	7.4
005 17 12580125	125	90	80	200	525	7.4
005 17 125100125	125	110	100	200	525	7.4
005 17 14050140	140	63	50	200	540	8.3
005 17 14065140	140	75	65	200	540	8.3
005 17 14080140	140	90	80	200	540	8.3
005 17 140100140	140	110	100	200	540	8.3
005 17 140100140	140	125	100	200	540	8.3
005 17 16040160	160	50	40	220	600	9.5
005 17 16050160	160	63	50	220	600	9.5
005 17 16065160	160	75	65	220	600	9.5
005 17 16080160	160	90	80	220	600	9.5
005 17 160100160	160	110	100	220	600	9.5
005 17 160100160	160	125	100	220	600	9.5
005 17 160125160	160	140	125	220	600	9.5
005 17 18050180	180	63	50	220	620	10.7
005 17 18080180	180	90	80	220	620	10.7
005 17 180100180	180	110	100	220	620	10.7
005 17 180100180	180	125	100	220	620	10.7
005 17 180150180	180	160	150	220	620	10.7
005 17 20050200	200	63	50	240	680	11.9
005 17 20065200	200	75	65	240	680	11.9
005 17 20080200	200	90	80	240	680	11.9

**1-FLANGE PN 10 SDR17  
REDUCING TEE (90 DEGREES)**

**Material:** PE100  
**Colour(s):** Black, with a blue stripe  
**Operating pressure:** 6 Bar (SDR17 PN6)  
 - A pressure reduction coefficient of 0.6 was applied.

Standard tees can be reinforced to match the nominal pressure rating of the pipe. Ask us for a quotation.

**Documents:**  
 National Declaration of Performance  
**Standards:** PN-EN 12201-3+A1:2013  
 Fittings approved by PZH (Polish Institute of Hygiene)



**1-FLANGE REDUCING TEE**

CODE	d [mm]	d1 [mm]	DN (flange) [mm]	le [mm]	L [mm]	s [mm]
005 17 200150200	200	160	150	240	680	11.9
005 17 22550225	225	63	50	240	705	13.4
005 17 22580225	225	90	80	240	705	13.4
005 17 225100225	225	110	100	240	705	13.4
005 17 225100225	225	125	100	240	705	13.4
005 17 225150225	225	160	150	240	705	13.4
005 17 25050250	250	63	50	300	850	14.8
005 17 25080250	250	90	80	300	850	14.8
005 17 250100250	250	110	100	300	850	14.8
005 17 250100250	250	125	100	300	850	14.8
005 17 250150250	250	160	150	300	850	14.8
005 17 250150250	250	180	150	300	850	14.8
005 17 250200250	250	200	200	300	850	14.8
005 17 250200250	250	225	200	300	850	14.8
005 17 28050280	280	63	50	300	880	16.6
005 17 28080280	280	90	80	300	880	16.6
005 17 280100280	280	110	100	300	880	16.6
005 17 280100280	280	125	100	300	880	16.6
005 17 280150280	280	160	150	300	880	16.6
005 17 280200280	280	200	200	300	880	16.6
005 17 280200280	280	225	200	300	880	16.6
005 17 280250280	280	250	250	300	880	16.6
005 17 31550315	315	63	50	360	1035	18.7
005 17 31580315	315	90	80	360	1035	18.7
005 17 315100315	315	110	100	360	1035	18.7
005 17 315100315	315	125	100	360	1035	18.7
005 17 315150315	315	160	150	360	1035	18.7
005 17 315150315	315	180	150	360	1035	18.7
005 17 315200315	315	200	200	360	1035	18.7
005 17 315200315	315	225	200	360	1035	18.7
005 17 315250315	315	250	250	360	1035	18.7

### 1-FLANGE PN 10 SDR17 REDUCING TEE (90 DEGREES)

**Material:** PE100

**Colour(s):** Black, with a blue stripe

**Operating pressure:** 6 Bar (SDR17 PN6)

- A pressure reduction coefficient of 0.6 was applied.

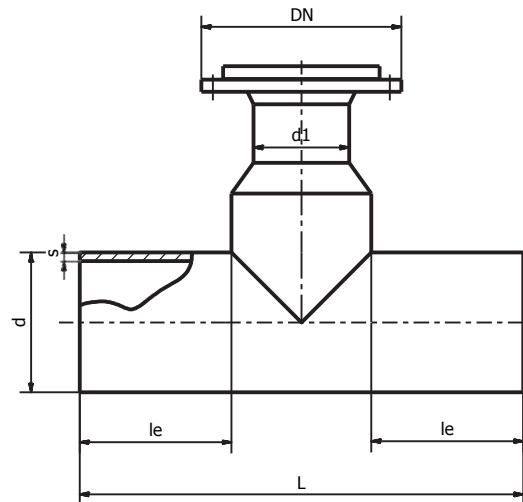
Standard tees can be reinforced to match the nominal pressure rating of the pipe. Ask us for a quotation.

**Documents:**

National Declaration of Performance

**Standards:** PN-EN 12201-3+A1:2013

Fittings approved by PZH (Polish Institute of Hygiene)



### 1-FLANGE REDUCING TEE

CODE	d [mm]	d1 [mm]	DN (flange) [mm]	le [mm]	L [mm]	s [mm]
005 17 315250315	315	250	250	360	1035	18.7
005 17 35580355	355	90	80	400	1155	21.4
005 17 355100355	355	110	100	400	1155	21.4
005 17 355100355	355	125	100	400	1155	21.4
005 17 355150355	355	160	150	400	1155	21.4
005 17 355150355	355	180	150	400	1155	21.4
005 17 355200355	355	200	200	400	1155	21.4
005 17 355200355	355	225	200	400	1155	21.4
005 17 355250355	355	250	250	400	1155	21.4
005 17 355300355	355	315	300	400	1155	21.4
005 17 40080400	400	90	80	460	1320	23.7
005 17 400100400	400	110	100	460	1320	23.7
005 17 400150400	400	160	150	460	1320	23.7
005 17 400150400	400	180	150	460	1320	23.7
005 17 400200400	400	200	200	460	1320	23.7
005 17 400200400	400	225	200	460	1320	23.7
005 17 400250400	400	250	250	460	1320	23.7
005 17 400250400	400	280	250	460	1320	23.7
005 17 400300400	400	315	300	460	1320	23.7

## 1-FLANGE PN16 SDR11 REDUCING TEE (90 DEGREES)

**Material:** PE100

**Colour(s):** Black, with a blue stripe

**Operating pressure:** 9.6 Bar (SDR11 PN 9.6)

- A pressure reduction coefficient of 0.6 was applied.

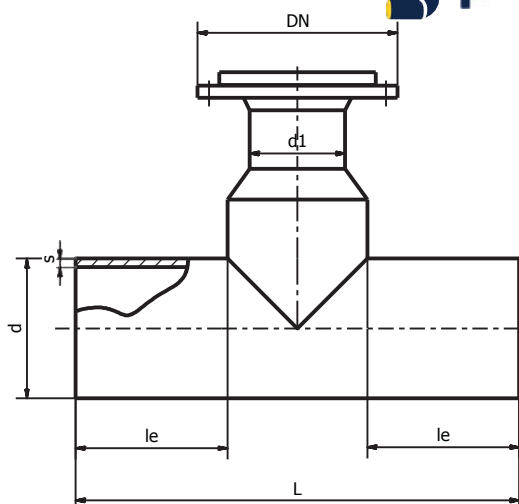
Standard tees can be reinforced to match the nominal pressure rating of the pipe. Ask us for a quotation.

**Documents:**

National Declaration of Performance

**Standards:** PN-EN 12201-3+A1:2013

Fittings approved by PZH (Polish Institute of Hygiene)



## 1-FLANGE REDUCING TEE

CODE	d [mm]	d1 [mm]	DN (flange) [mm]	le [mm]	L [mm]	s [mm]
005 11 905090	90	63	50	180	450	8.2
005 11 11040110	110	50	40	180	470	10
005 11 11050110	110	63	50	180	470	10
005 11 11065110	110	75	65	180	470	10
005 11 11080110	110	90	80	180	470	10
005 11 12550125	125	63	50	200	525	11.4
005 11 12565125	125	75	65	200	525	11.4
005 11 12580125	125	90	80	200	525	11.4
005 11 125100125	125	110	100	200	525	11.4
005 11 14050140	140	63	50	200	540	12.8
005 11 14065140	140	75	65	200	540	12.8
005 11 14080140	140	90	80	200	540	12.8
005 11 140100140	140	110	100	200	540	12.8
005 11 140100140	140	125	100	200	540	12.8
005 11 16040160	160	50	40	220	600	14.6
005 11 16050160	160	63	50	220	600	14.6
005 11 16065160	160	75	65	220	600	14.6
005 11 16080160	160	90	80	220	600	14.6
005 11 160100160	160	110	100	220	600	14.6
005 11 160100160	160	125	100	220	600	14.6
005 11 160125160	160	140	125	220	600	14.6
005 11 18050180	180	63	50	220	620	16.4
005 11 18080180	180	90	80	220	620	16.4
005 11 180100180	180	110	100	220	620	16.4
005 11 180100180	180	125	100	220	620	16.4
005 11 180150180	180	160	150	220	620	16.4
005 11 20050200	200	63	50	240	680	18.2
005 11 20065200	200	75	65	240	680	18.2
005 11 20080200	200	90	80	240	680	18.2

## 1-FLANGE PN16 SDR11 REDUCING TEE (90 DEGREES)

**Material:** PE100

**Colour(s):** Black, with a blue stripe

**Operating pressure:** 9.6 Bar (SDR11 PN 9.6)

- A pressure reduction coefficient of 0.6 was applied.

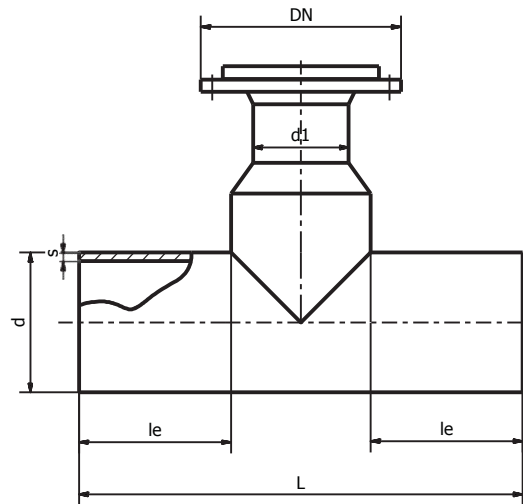
Standard tees can be reinforced to match the nominal pressure rating of the pipe. Ask us for a quotation.

**Documents:**

National Declaration of Performance

**Standards:** PN-EN 12201-3+A1:2013

Fittings approved by PZH (Polish Institute of Hygiene)



## 1-FLANGE REDUCING TEE

CODE	d [mm]	d1 [mm]	DN (flange) [mm]	le [mm]	L [mm]	s [mm]
005 11 200150200	200	160	150	240	680	18.2
005 11 22550225	225	63	50	240	705	20.5
005 11 22580225	225	90	80	240	705	20.5
005 11 225100225	225	110	100	240	705	20.5
005 11 225100225	225	125	100	240	705	20.5
005 11 225150225	225	160	150	240	705	20.5
005 11 25050250	250	63	50	300	850	22.8
005 11 25080250	250	90	80	300	850	22.8
005 11 250100250	250	110	100	300	850	22.8
005 11 250100250	250	125	100	300	850	22.8
005 11 250150250	250	160	150	300	850	22.8
005 11 250150250	250	180	150	300	850	22.8
005 11 250200250	250	200	200	300	850	22.8
005 11 250200250	250	225	200	300	850	22.8
005 11 28050280	280	63	50	300	880	25.5
005 11 28080280	280	90	80	300	880	25.5
005 11 280100280	280	110	100	300	880	25.5
005 11 280100280	280	125	100	300	880	25.5
005 11 280150280	280	160	150	300	880	25.5
005 11 280200280	280	200	200	300	880	25.5
005 11 280200280	280	225	200	300	880	25.5
005 11 280250280	280	250	250	300	880	25.5
005 11 31550315	315	63	50	360	1035	28.7
005 11 31580315	315	90	80	360	1035	28.7
005 11 315100315	315	110	100	360	1035	28.7
005 11 315100315	315	125	100	360	1035	28.7
005 11 315150315	315	160	150	360	1035	28.7
005 11 315150315	315	180	150	360	1035	28.7
005 11 315200315	315	200	200	360	1035	28.7
005 11 315200315	315	225	200	360	1035	28.7
005 11 315250315	315	250	250	360	1035	28.7



**1-FLANGE PN16 SDR11  
REDUCING TEE (90 DEGREES)**

**Material:** PE100  
**Colour(s):** Black, with a blue stripe  
**Operating pressure:** 9.6 Bar (SDR11 PN 9.6)  
 - A pressure reduction coefficient of 0.6 was applied.

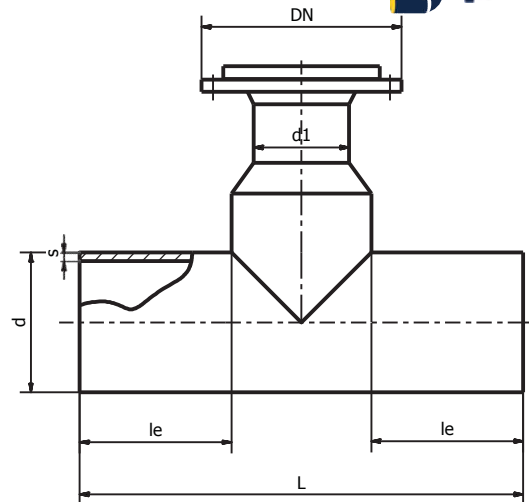
Standard tees can be reinforced to match the nominal pressure rating of the pipe. Ask us for a quotation.

**Documents:**

National Declaration of Performance

**Standards:** PN-EN 12201-3+A1:2013

Fittings approved by PZH (Polish Institute of Hygiene)



**1-FLANGE REDUCING TEE**

CODE	d [mm]	d1 [mm]	DN (flange) [mm]	le [mm]	L [mm]	s [mm]
005 11 315250315	315	250	250	360	1035	28.7
005 11 35580355	355	90	80	400	1155	32.3
005 11 355100355	355	110	100	400	1155	32.3
005 11 355100355	355	125	100	400	1155	32.3
005 11 355150355	355	160	150	400	1155	32.3
005 11 355150355	355	180	150	400	1155	32.3
005 11 355200355	355	200	200	400	1155	32.3
005 11 355200355	355	225	200	400	1155	32.3
005 11 355250355	355	250	250	400	1155	32.3
005 11 355300355	355	315	300	400	1155	32.3
005 11 40080400	400	90	80	460	1320	36.4
005 11 400100400	400	110	100	460	1320	36.4
005 11 400150400	400	160	150	460	1320	36.4
005 11 400150400	400	180	150	460	1320	36.4
005 11 400200400	400	200	200	460	1320	36.4
005 11 400200400	400	225	200	460	1320	36.4
005 11 400250400	400	250	250	460	1320	36.4
005 11 400250400	400	280	250	460	1320	36.4
005 11 400300400	400	315	300	460	1320	36.4

## PN10 SDR17 TAPPING TEE (90 DEGREES)

**Material:** PE100

**Colour(s):** Black, with a blue stripe

**Operating pressure:** 8 Bar (SDR17 PN8)

- A pressure reduction coefficient of 0.8 was applied.

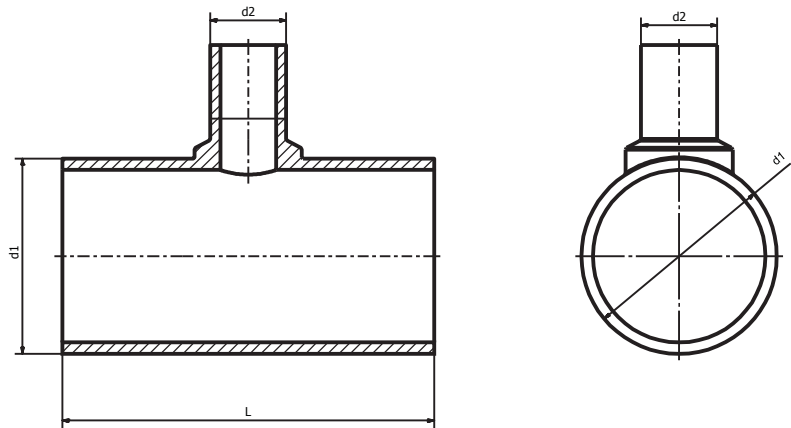
Standard tees can be reinforced to match the nominal pressure rating of the pipe. Ask us for a quotation.

**Documents:**

National Declaration of Performance

**Standards:** PN-EN 12201-3+A1:2013

Fittings approved by PZH (Polish Institute of Hygiene)



## TAPPING TEE

CODE	d1 [mm]	d2 [mm]	L [mm]
008 17 9032	90	32	450
008 17 9040	90	40	450
008 17 11032	110	32	470
008 17 11040	110	40	470
008 17 11050	110	50	470
008 17 11063	110	63	470
008 17 11075	110	75	470
008 17 12532	125	32	525
008 17 12540	125	40	525
008 17 12550	125	50	525
008 17 12563	125	63	525
008 17 12575	125	75	525
008 17 14032	140	32	540
008 17 14040	140	40	540
008 17 14050	140	50	540
008 17 14063	140	63	540
008 17 14075	140	75	540
008 17 16032	160	32	600
008 17 16040	160	40	600
008 17 16050	160	50	600
008 17 16063	160	63	600
008 17 16075	160	75	600
008 17 16090	160	90	600
008 17 18032	180	32	620
008 17 18040	180	40	620
008 17 18050	180	50	620
008 17 18063	180	63	620
008 17 18075	180	75	620
008 17 18090	180	90	620
008 17 180110	180	110	620

CODE	d1 [mm]	d2 [mm]	L [mm]
008 17 20040	200	40	680
008 17 20050	200	50	680
008 17 20063	200	63	680
008 17 20075	200	75	680
008 17 20090	200	90	680
008 17 200110	200	110	680
008 17 200125	200	125	680
008 17 22532	225	32	705
008 17 22540	225	40	705
008 17 22550	225	50	705
008 17 22563	225	63	705
008 17 22575	225	75	705
008 17 22590	225	90	705
008 17 225110	225	110	705
008 17 225125	225	125	705
008 17 225140	225	140	705
008 17 25032	250	32	850
008 17 25040	250	40	850
008 17 25050	250	50	850
008 17 25063	250	63	850
008 17 25075	250	75	850
008 17 25090	250	90	850
008 17 250110	250	110	850
008 17 250125	250	125	850
008 17 250140	250	140	850
008 17 250160	250	160	850
008 17 28032	280	32	880
008 17 28040	280	40	880
008 17 28050	280	50	880
008 17 28063	280	63	880

## PN10 SDR17 TAPPING TEE (90 DEGREES)

**Material:** PE100

**Colour(s):** Black, with a blue stripe

**Operating pressure:** 8 Bar (SDR17 PN8)

- A pressure reduction coefficient of 0.8 was applied.

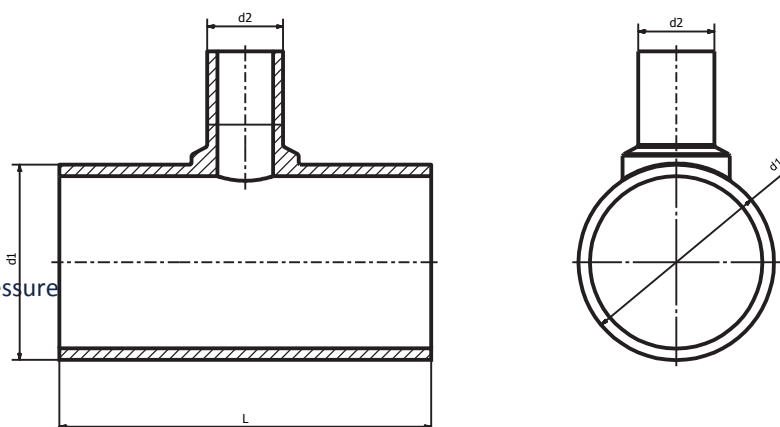
Standard tees can be reinforced to match the nominal pressure rating of the pipe. Ask us for a quotation.

### Documents:

National Declaration of Performance

**Standards:** PN-EN 12201-3+A1:2013

Fittings approved by PZH (Polish Institute of Hygiene)



## TAPPING TEE

CODE	d1 [mm]	d2 [mm]	L [mm]
008 17 28090	280	90	880
008 17 280110	280	110	880
008 17 280125	280	125	880
008 17 280140	280	140	880
008 17 280160	280	160	880
008 17 280180	280	180	880
008 17 31532	315	32	950
008 17 31540	315	40	950
008 17 31550	315	50	950
008 17 31563	315	63	950
008 17 31575	315	75	950
008 17 31590	315	90	950
008 17 315110	315	110	950
008 17 315125	315	125	950
008 17 315140	315	140	950
008 17 315160	315	160	950
008 17 315180	315	180	950
008 17 315200	315	200	950
008 17 35532	355	32	1050
008 17 35540	355	40	1050
008 17 35550	355	50	1050
008 17 35563	355	63	1050
008 17 35575	355	75	1050
008 17 35590	355	90	1050
008 17 355110	355	110	1050
008 17 355125	355	125	1050
008 17 355140	355	140	1050
008 17 355160	355	160	1050
008 17 355180	355	180	1050
008 17 355200	355	200	1050

CODE	d1 [mm]	d2 [mm]	L [mm]
008 17 40032	400	32	1150
008 17 40040	400	40	1150
008 17 40050	400	50	1150
008 17 40063	400	63	1150
008 17 40075	400	75	1150
008 17 40090	400	90	1150
008 17 400110	400	110	1150
008 17 400125	400	125	1150
008 17 400140	400	140	1150
008 17 400160	400	160	1150
008 17 400180	400	180	1150
008 17 400200	400	200	1150
008 17 400225	400	225	1150
008 17 400250	400	250	1150
008 17 45032	450	32	1300
008 17 45040	450	40	1300
008 17 45050	450	50	1300
008 17 45063	450	63	1300
008 17 45075	450	75	1300
008 17 45090	450	90	1300
008 17 450110	450	110	1300
008 17 450125	450	125	1300
008 17 450140	450	140	1300
008 17 450160	450	160	1300
008 17 450180	450	180	1300
008 17 450200	450	200	1300
008 17 450225	450	225	1300
008 17 450250	450	250	1300
008 17 450280	450	280	1300
008 17 50032	500	32	1450

## PN10 SDR17 TAPPING TEE (90 DEGREES)

**Material:** PE100

**Colour(s):** Black, with a blue stripe

**Operating pressure:** 8 Bar (SDR17 PN8)

- A pressure reduction coefficient of 0.8 was applied.

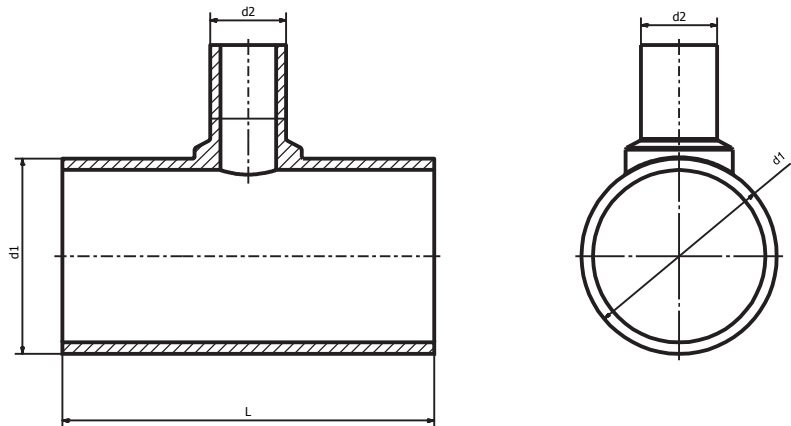
Standard tees can be reinforced to match the nominal pressure rating of the pipe. Ask us for a quotation.

**Documents:**

National Declaration of Performance

**Standards:** PN-EN 12201-3+A1:2013

Fittings approved by PZH (Polish Institute of Hygiene)



## TAPPING TEE

CODE	d1 [mm]	d2 [mm]	L [mm]
008 17 50050	500	50	1450
008 17 50063	500	63	1450
008 17 50075	500	75	1450
008 17 50090	500	90	1450
008 17 500110	500	110	1450
008 17 500125	500	125	1450
008 17 500140	500	140	1450
008 17 500160	500	160	1450
008 17 500180	500	180	1450
008 17 500200	500	200	1450
008 17 500225	500	225	1450
008 17 500250	500	250	1450
008 17 500280	500	280	1450
008 17 500315	500	315	1450
008 17 56032	560	32	1650
008 17 56040	560	40	1650
008 17 56050	560	50	1650
008 17 56063	560	63	1650
008 17 56075	560	75	1650
008 17 56090	560	90	1650
008 17 560110	560	110	1650
008 17 560125	560	125	1650
008 17 560140	560	140	1650
008 17 560160	560	160	1650
008 17 560180	560	180	1650
008 17 560200	560	200	1650
008 17 560225	560	225	1650
008 17 560250	560	250	1650
008 17 560280	560	280	1650
008 17 560315	560	315	1650

CODE	d1 [mm]	d2 [mm]	L [mm]
008 17 63032	630	32	1700
008 17 63040	630	40	1700
008 17 63050	630	50	1700
008 17 63063	630	63	1700
008 17 63075	630	75	1700
008 17 63090	630	90	1700
008 17 630110	630	110	1700
008 17 630125	630	125	1700
008 17 630140	630	140	1700
008 17 630160	630	160	1700
008 17 630180	630	180	1700
008 17 630200	630	200	1700
008 17 630225	630	225	1700
008 17 630250	630	250	1700
008 17 630280	630	280	1700
008 17 630315	630	315	1700
008 17 630355	630	355	1700
008 17 710 ..	710	32-400	*
008 17 800 ..	800	32-400	*
008 17 900 ..	900	32-400	*
008 17 1000 ..	1000	32-400	*
008 17 1200 ..	1200	32-400	*

CODE: Remove the dots (..) and add the elbow degree.

\*Ask us for a quotation.

## PN16 SDR11 TAPPING TEE (90 DEGREES)

**Material:** PE100

**Colour(s):** Black, with a blue stripe

**Operating pressure:** 12.8 Bar (SDR11 PN 12.8)

- A pressure reduction coefficient of 0.8 was applied.

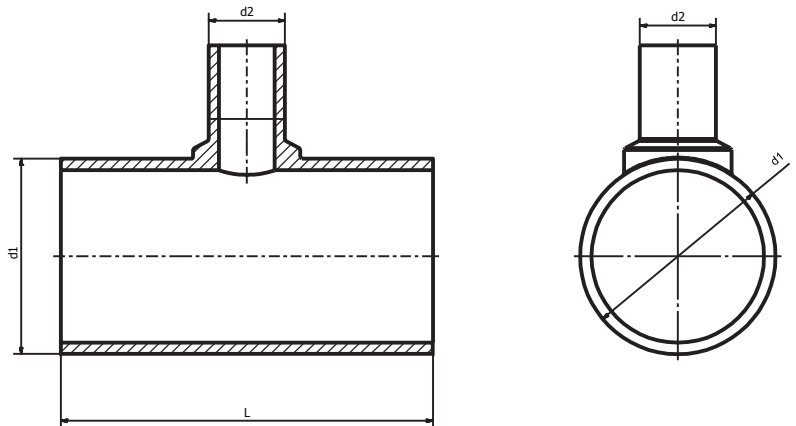
Standard tees can be reinforced to match the nominal pressure rating of the pipe. Ask us for a quotation.

### Documents:

National Declaration of Performance

**Standards:** PN-EN 12201-3+A1:2013

Fittings approved by PZH (Polish Institute of Hygiene)



## TAPPING TEE

CODE	d1 [mm]	d2 [mm]	L [mm]
008 11 9032	90	32	450
008 11 9040	90	40	450
008 11 11032	110	32	470
008 11 11040	110	40	470
008 11 11050	110	50	470
008 11 11063	110	63	470
008 11 11075	110	75	470
008 11 12532	125	32	525
008 11 12540	125	40	525
008 11 12550	125	50	525
008 11 12563	125	63	525
008 11 12575	125	75	525
008 11 14032	140	32	540
008 11 14040	140	40	540
008 11 14050	140	50	540
008 11 14063	140	63	540
008 11 14075	140	75	540
008 11 16032	160	32	600
008 11 16040	160	40	600
008 11 16050	160	50	600
008 11 16063	160	63	600
008 11 16075	160	75	600
008 11 16090	160	90	600
008 11 18032	180	32	620
008 11 18040	180	40	620
008 11 18050	180	50	620
008 11 18063	180	63	620
008 11 18075	180	75	620
008 11 18090	180	90	620
008 11 180110	180	110	620

CODE	d1 [mm]	d2 [mm]	L [mm]
008 11 20040	200	40	680
008 11 20050	200	50	680
008 11 20063	200	63	680
008 11 20075	200	75	680
008 11 20090	200	90	680
008 11 200110	200	110	680
008 11 200125	200	125	680
008 11 22532	225	32	705
008 11 22540	225	40	705
008 11 22550	225	50	705
008 11 22563	225	63	705
008 11 22575	225	75	705
008 11 22590	225	90	705
008 11 225110	225	110	705
008 11 225125	225	125	705
008 11 225140	225	140	705
008 11 25032	250	32	850
008 11 25040	250	40	850
008 11 25050	250	50	850
008 11 25063	250	63	850
008 11 25075	250	75	850
008 11 25090	250	90	850
008 11 250110	250	110	850
008 11 250125	250	125	850
008 11 250140	250	140	850
008 11 250160	250	160	850
008 11 28032	280	32	880
008 11 28040	280	40	880
008 11 28050	280	50	880
008 11 28063	280	63	880

## PN16 SDR11 TAPPING TEE (90 DEGREES)

**Material:** PE100

**Colour(s):** Black, with a blue stripe

**Operating pressure:** 12.8 Bar (SDR11 PN 12.8)

- A pressure reduction coefficient of 0.8 was applied.

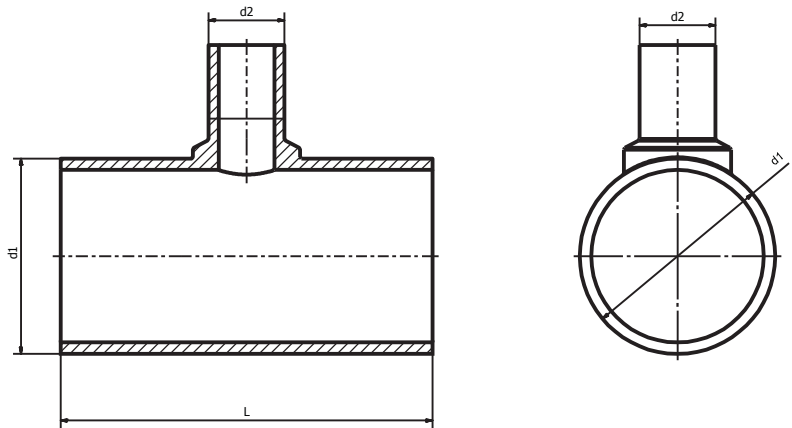
Standard tees can be reinforced to match the nominal pressure rating of the pipe. Ask us for a quotation.

**Documents:**

National Declaration of Performance

**Standards:** PN-EN 12201-3+A1:2013

Fittings approved by PZH (Polish Institute of Hygiene)



## TAPPING TEE

CODE	d1 [mm]	d2 [mm]	L [mm]
008 11 28090	280	90	880
008 11 280110	280	110	880
008 11 280125	280	125	880
008 11 280140	280	140	880
008 11 280160	280	160	880
008 11 280180	280	180	880
008 11 31532	315	32	950
008 11 31540	315	40	950
008 11 31550	315	50	950
008 11 31563	315	63	950
008 11 31575	315	75	950
008 11 31590	315	90	950
008 11 315110	315	110	950
008 11 315125	315	125	950
008 11 315140	315	140	950
008 11 315160	315	160	950
008 11 315180	315	180	950
008 11 315200	315	200	950
008 11 35532	355	32	1050
008 11 35540	355	40	1050
008 11 35550	355	50	1050
008 11 35563	355	63	1050
008 11 35575	355	75	1050
008 11 35590	355	90	1050
008 11 355110	355	110	1050
008 11 355125	355	125	1050
008 11 355140	355	140	1050
008 11 355160	355	160	1050
008 11 355180	355	180	1050
008 11 355200	355	200	1050

CODE	d1 [mm]	d2 [mm]	L [mm]
008 11 40032	400	32	1150
008 11 40040	400	40	1150
008 11 40050	400	50	1150
008 11 40063	400	63	1150
008 11 40075	400	75	1150
008 11 40090	400	90	1150
008 11 400110	400	110	1150
008 11 400125	400	125	1150
008 11 400140	400	140	1150
008 11 400160	400	160	1150
008 11 400180	400	180	1150
008 11 400200	400	200	1150
008 11 400225	400	225	1150
008 11 400250	400	250	1150
008 11 45032	450	32	1300
008 11 45040	450	40	1300
008 11 45050	450	50	1300
008 11 45063	450	63	1300
008 11 45075	450	75	1300
008 11 45090	450	90	1300
008 11 450110	450	110	1300
008 11 450125	450	125	1300
008 11 450140	450	140	1300
008 11 450160	450	160	1300
008 11 450180	450	180	1300
008 11 450200	450	200	1300
008 11 450225	450	225	1300
008 11 450250	450	250	1300
008 11 450280	450	280	1300
008 11 50032	500	32	1450

## PN16 SDR11 TAPPING TEE (90 DEGREES)

**Material:** PE100

**Colour(s):** Black, with a blue stripe

**Operating pressure:** 12.8 Bar (SDR11 PN 12.8)

- A pressure reduction coefficient of 0.8 was applied.

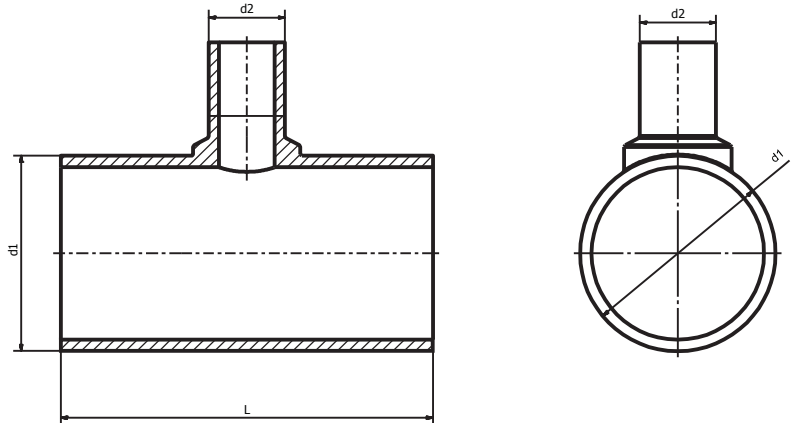
Standard tees can be reinforced to match the nominal pressure rating of the pipe. Ask us for a quotation.

### Documents:

National Declaration of Performance

**Standards:** PN-EN 12201-3+A1:2013

Fittings approved by PZH (Polish Institute of Hygiene)



## TAPPING TEE

CODE	d1 [mm]	d2 [mm]	L [mm]
008 11 50050	500	50	1450
008 11 50063	500	63	1450
008 11 50075	500	75	1450
008 11 50090	500	90	1450
008 11 500110	500	110	1450
008 11 500125	500	125	1450
008 11 500140	500	140	1450
008 11 500160	500	160	1450
008 11 500180	500	180	1450
008 11 500200	500	200	1450
008 11 500225	500	225	1450
008 11 500250	500	250	1450
008 11 500280	500	280	1450
008 11 500315	500	315	1450
008 11 56032	560	32	1650
008 11 56040	560	40	1650
008 11 56050	560	50	1650
008 11 56063	560	63	1650
008 11 56075	560	75	1650
008 11 56090	560	90	1650
008 11 560110	560	110	1650
008 11 560125	560	125	1650
008 11 560140	560	140	1650
008 11 560160	560	160	1650
008 11 560180	560	180	1650
008 11 560200	560	200	1650
008 11 560225	560	225	1650
008 11 560250	560	250	1650
008 11 560280	560	280	1650
008 11 560315	560	315	1650

CODE	d1 [mm]	d2 [mm]	L [mm]
008 11 63032	630	32	1700
008 11 63040	630	40	1700
008 11 63050	630	50	1700
008 11 63063	630	63	1700
008 11 63075	630	75	1700
008 11 63090	630	90	1700
008 11 630110	630	110	1700
008 11 630125	630	125	1700
008 11 630140	630	140	1700
008 11 630160	630	160	1700
008 11 630180	630	180	1700
008 11 630200	630	200	1700
008 11 630225	630	225	1700
008 11 630250	630	250	1700
008 11 630280	630	280	1700
008 11 630315	630	315	1700
008 11 630355	630	355	1700
008 11 710 ..	710	32-400	*
008 11 800 ..	800	32-400	*
008 11 900 ..	900	32-400	*
008 11 1000 ..	1000	32-400	*
008 11 1200 ..	1200	32-400	*

CODE: Remove the dots (..) and add the elbow degree.

\*Ask us for a quotation.

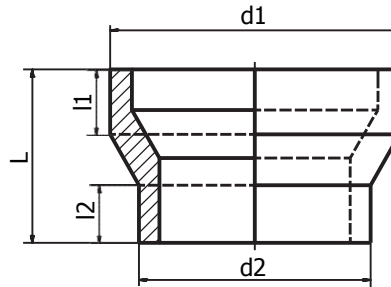
**PN10 SDR17 SHORT REDUCER**
**Material:** PE100

**Colour(s):** Black

**Operating pressure:** 10 Bar (SDR17 PN10)

**Standards:** PN-EN 12201-3+A1:2013

Fittings approved by PZH (Polish Institute of Hygiene)

**Documents:** National Declaration of Performance

**REDUCER**

CODE	d1/d2	d1 [mm]	d2 [mm]	l1 [mm]	l2 [mm]	L min [mm]
012 17 4020	40/20	40	20	48	45	100
012 17 4025	40/25	40	25	48	45	100
012 17 4032	40/32	40	32	48	45	100
012 17 5020	50/20	50	20	45	45	100
012 17 5025	50/25	50	25	45	45	100
012 17 5032	50/32	50	32	45	45	100
012 17 5040	50/40	50	40	45	45	100
012 17 6320	63/20	63	20	45	45	100
012 17 6325	63/25	63	25	45	45	100
012 17 6332	63/32	63	32	45	45	100
012 17 6340	63/40	63	40	45	45	100
012 17 6350	63/50	63	50	45	45	100
012 17 7520	75/20	75	20	45	45	100
012 17 7525	75/25	75	25	45	45	100
012 17 7532	75/32	75	32	30	30	90
012 17 7540	75/40	75	40	30	30	90
012 17 7550	75/50	75	50	30	30	90
012 17 7563	75/63	75	63	30	30	90
012 17 9020	90/20	90	20	30	30	90
012 17 9025	90/25	90	25	30	30	90
012 17 9032	90/32	90	32	30	30	90
012 17 9040	90/40	90	40	30	30	90
012 17 9050	90/50	90	50	30	30	90
012 17 9063	90/63	90	63	30	35	90
012 17 9075	90/75	90	75	30	30	90
012 17 11020	110/20	110	20	40	35	90
012 17 11025	110/25	110	25	40	35	90
012 17 11032	110/32	110	32	40	35	90
012 17 11040	110/40	110	40	40	35	100
012 17 11050	110/50	110	50	40	35	100
012 17 11063	110/63	110	63	40	35	110
012 17 11075	110/75	110	75	45	35	120
012 17 11090	110/90	110	90	45	35	120
012 17 12540	125/40	125	40	40	35	110



## PN10 SDR17 SHORT REDUCER

**Material:** PE100

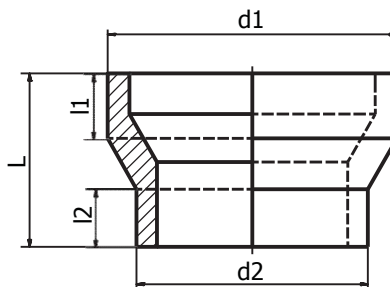
**Colour(s):** Black

**Operating pressure:** 10 Bar (SDR17 PN10)

**Standards:** PN-EN 12201-3+A1:2013

Fittings approved by PZH (Polish Institute of Hygiene)

**Documents:** National Declaration of Performance



## REDUCER

CODE	d1/d2	d1 [mm]	d2 [mm]	l1 [mm]	l2 [mm]	L min [mm]
012 17 12550	125/50	125	50	45	50	120
012 17 12563	125/63	125	63	40	30	110
012 17 12575	125/75	125	75	40	30	100
012 17 12590	125/90	125	90	40	30	110
012 17 125110	125/110	125	110	40	30	110
012 17 14063	140/63	140	63	40	30	110
012 17 14075	140/75	140	75	40	30	110
012 17 14090	140/90	140	90	40	30	110
012 17 140110	140/110	140	110	40	35	100
012 17 140125	140/125	140	125	40	35	100
012 17 16050	160/50	160	50	40	35	110
012 17 16063	160/63	160	63	45	35	120
012 17 16075	160/75	160	75	45	35	120
012 17 16090	160/90	160	90	40	35	110
012 17 160110	160/110	160	110	45	50	120
012 17 160125	160/125	160	125	40	30	110
012 17 160140	160/140	160	140	40	30	110
012 17 18090	180/90	180	90	40	30	110
012 17 180110	180/110	180	110	40	30	110
012 17 180125	180/125	180	125	40	30	110
012 17 180140	180/140	180	140	40	30	110
012 17 180160	180/160	180	160	40	30	110
012 17 20090	200/90	200	90	45	35	120
012 17 200110	200/110	200	110	45	35	120
012 17 200125	200/125	200	125	45	35	120
012 17 200140	200/140	200	140	45	35	120
012 17 200160	200/160	200	160	45	40	120
012 17 200180	200/180	200	180	45	40	120
012 17 22590	225/90	225	90	45	40	120
012 17 225110	225/110	225	110	45	40	120
012 17 225125	225/125	225	125	45	40	120
012 17 225140	225/140	225	140	45	40	120
012 17 225160	225/160	225	160	55	45	130
012 17 225180	225/180	225	180	55	45	120

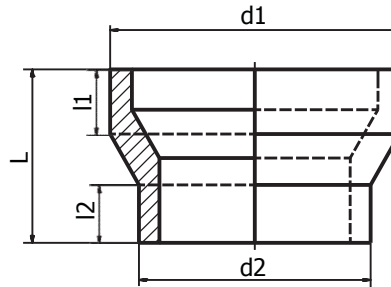
**PN10 SDR17 SHORT REDUCER**
**Material:** PE100

**Colour(s):** Black

**Operating pressure:** 10 Bar (SDR17 PN10)

**Standards:** PN-EN 12201-3+A1:2013

Fittings approved by PZH (Polish Institute of Hygiene)

**Documents:** National Declaration of Performance

**REDUCER**

CODE	d1/d2	d1 [mm]	d2 [mm]	l1 [mm]	l2 [mm]	L min [mm]
012 17 225200	225/200	225	200	55	45	130
012 17 25090	250/90	250	90	55	45	130
012 17 250110	250/110	250	110	40	30	130
012 17 250160	250/160	250	160	40	30	125
012 17 250180	250/180	250	180	40	35	130
012 17 250200	250/200	250	200	40	35	130
012 17 250225	250/225	250	225	35	35	110
012 17 280125	280/125	280	125	50	35	120
012 17 280160	280/160	280	160	50	35	120
012 17 280200	280/200	280	200	50	35	120
012 17 280225	280/225	280	225	50	35	120
012 17 280250	280/250	280	250	50	35	120
012 17 315160	315/160	315	160	50	35	120
012 17 315180	315/180	315	180	50	35	120
012 17 315200	315/200	315	200	50	35	120
012 17 315225	315/225	315	225	50	30	120
012 17 315250	315/250	315	250	55	30	120
012 17 315280	315/280	315	280	35	35	120
012 17 355180	355/180	355	180	35	35	120
012 17 355200	355/200	355	200	35	36	120
012 17 355225	355/225	355	225	35	35	120
012 17 355250	355/250	355	250	35	35	120
012 17 355280	355/280	355	280	35	35	120
012 17 355315	355/315	355	315	45	45	120
012 17 400315	400/315	400	315	60	50	160
012 17 400355	400/355	400	355	60	45	120
012 17 450315	450/315	450	315	55	40	140
012 17 450355	450/355	450	355	57	40	130
012 17 450400	450/400	450	400	60	40	130
012 17 500400	500/315	500	315	65	40	140
012 17 500450	500/400	500	400	65	40	140

## PN16 SDR11 SHORT REDUCER

**Material:** PE100

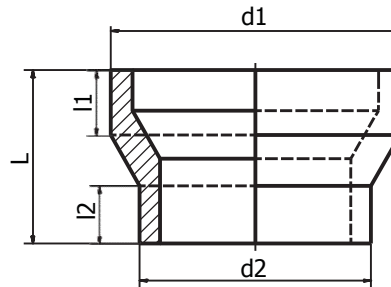
**Colour(s):** Black

**Operating pressure:** 16 Bar (SDR11 PN16)

**Standards:** PN-EN 12201-3+A1:2013

Fittings approved by PZH (Polish Institute of Hygiene)

**Documents:** National Declaration of Performance



## REDUCER

CODE	d1/d2	d1 [mm]	d2 [mm]	l1 [mm]	l2 [mm]	L min [mm]
012 11 4020	40/20	40	20	48	45	100
012 11 4025	40/25	40	25	48	45	100
012 11 4032	40/32	40	32	48	45	100
012 11 5020	50/20	50	20	45	45	100
012 11 5025	50/25	50	25	45	45	100
012 11 5032	50/32	50	32	45	45	100
012 11 5040	50/40	50	40	45	45	100
012 11 6320	63/20	63	20	45	45	100
012 11 6325	63/25	63	25	45	45	100
012 11 6332	63/32	63	32	45	45	100
012 11 6340	63/40	63	40	45	45	100
012 11 6350	63/50	63	50	45	45	100
012 11 7520	75/20	75	20	45	45	100
012 11 7525	75/25	75	25	45	45	100
012 11 7532	75/32	75	32	30	30	90
012 11 7540	75/40	75	40	30	30	90
012 11 7550	75/50	75	50	30	30	90
012 11 7563	75/63	75	63	30	30	90
012 11 9020	90/20	90	20	30	30	90
012 11 9025	90/25	90	25	30	30	90
012 11 9032	90/32	90	32	30	30	90
012 11 9040	90/40	90	40	30	30	90
012 11 9050	90/50	90	50	30	30	90
012 11 9063	90/63	90	63	30	35	90
012 11 9075	90/75	90	75	30	30	90
012 11 11020	110/20	110	20	40	35	90
012 11 11025	110/25	110	25	40	35	90
012 11 11032	110/32	110	32	40	35	90
012 11 11040	110/40	110	40	40	35	100
012 11 11050	110/50	110	50	40	35	100
012 11 11063	110/63	110	63	40	35	110
012 11 11075	110/75	110	75	45	35	120
012 11 11090	110/90	110	90	45	35	120
012 11 12540	125/40	125	40	40	35	110

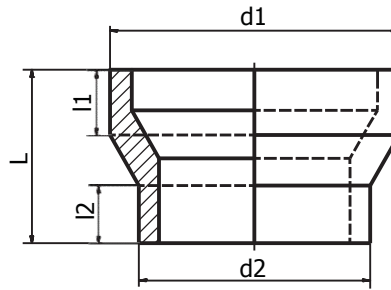
**PN16 SDR11 SHORT REDUCER**
**Material:** PE100

**Colour(s):** Black

**Operating pressure:** 16 Bar (SDR11 PN16)

**Standards:** PN-EN 12201-3+A1:2013

Fittings approved by PZH (Polish Institute of Hygiene)

**Documents:** National Declaration of Performance

**REDUCER**

CODE	d1/d2	d1 [mm]	d2 [mm]	l1 [mm]	l2 [mm]	L min [mm]
012 11 12550	125/50	125	50	45	50	120
012 11 12563	125/63	125	63	40	30	110
012 11 12575	125/75	125	75	40	30	100
012 11 12590	125/90	125	90	40	30	110
012 11 125110	125/110	125	110	40	30	110
012 11 14063	140/63	140	63	40	30	110
012 11 14075	140/75	140	75	40	30	110
012 11 14090	140/90	140	90	40	30	110
012 11 140110	140/110	140	110	40	35	100
012 11 140125	140/125	140	125	40	35	100
012 11 16050	160/50	160	50	40	35	110
012 11 16063	160/63	160	63	45	35	120
012 11 16075	160/75	160	75	45	35	120
012 11 16090	160/90	160	90	40	35	110
012 11 160110	160/110	160	110	45	50	120
012 11 160125	160/125	160	125	40	30	110
012 11 160140	160/140	160	140	40	30	110
012 11 18090	180/90	180	90	40	30	110
012 11 180110	180/110	180	110	40	30	110
012 11 180125	180/125	180	125	40	30	110
012 11 180140	180/140	180	140	40	30	110
012 11 180160	180/160	180	160	40	30	110
012 11 20090	200/90	200	90	45	35	120
012 11 200110	200/110	200	110	45	35	120
012 11 200125	200/125	200	125	45	35	120
012 11 200140	200/140	200	140	45	35	120
012 11 200160	200/160	200	160	45	40	120
012 11 200180	200/180	200	180	45	40	120
012 11 22590	225/90	225	90	45	40	120
012 11 225110	225/110	225	110	45	40	120
012 11 225125	225/125	225	125	45	40	120
012 11 225140	225/140	225	140	45	40	120
012 11 225160	225/160	225	160	55	45	130
012 11 225180	225/180	225	180	55	45	120

## PN16 SDR11 SHORT REDUCER

**Material:** PE100

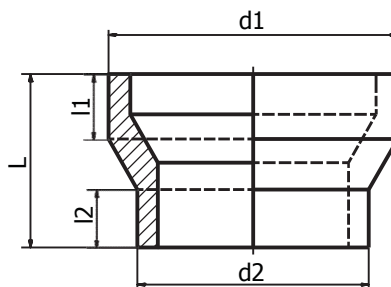
**Colour(s):** Black

**Operating pressure:** 16 Bar (SDR11 PN16)

**Standards:** PN-EN 12201-3+A1:2013

Fittings approved by PZH (Polish Institute of Hygiene)

**Documents:** National Declaration of Performance



## REDUCER

CODE	d1/d2	d1 [mm]	d2 [mm]	l1 [mm]	l2 [mm]	L min [mm]
012 11 225200	225/200	225	200	55	45	130
012 11 25090	250/90	250	90	55	45	130
012 11 250110	250/110	250	110	40	30	130
012 11 250160	250/160	250	160	40	30	125
012 11 250180	250/180	250	180	40	35	130
012 11 250200	250/200	250	200	40	35	130
012 11 250225	250/225	250	225	35	35	110
012 11 280125	280/125	280	125	50	35	120
012 11 280160	280/160	280	160	50	35	120
012 11 280200	280/200	280	200	50	35	120
012 11 280225	280/225	280	225	50	35	120
012 11 280250	280/250	280	250	50	35	120
012 11 315160	315/160	315	160	50	35	120
012 11 315180	315/180	315	180	50	35	120
012 11 315200	315/200	315	200	50	35	120
012 11 315225	315/225	315	225	50	30	120
012 11 315250	315/250	315	250	55	30	120
012 11 315280	315/280	315	280	35	35	120
012 11 355180	355/180	355	180	35	35	120
012 11 355200	355/200	355	200	35	36	120
012 11 355225	355/225	355	225	35	35	120
012 11 355250	355/250	355	250	35	35	120
012 11 355280	355/280	355	280	35	35	120
012 11 355315	355/315	355	315	45	45	120
012 11 400315	400/315	400	315	60	50	160
012 11 400355	400/355	400	355	60	45	120
012 11 450315	450/315	450	315	55	40	140
012 11 450355	450/355	450	355	57	40	130
012 11 450400	450/400	450	400	60	40	130
012 11 500400	500/315	500	315	65	40	140
012 11 500450	500/400	500	400	65	40	140

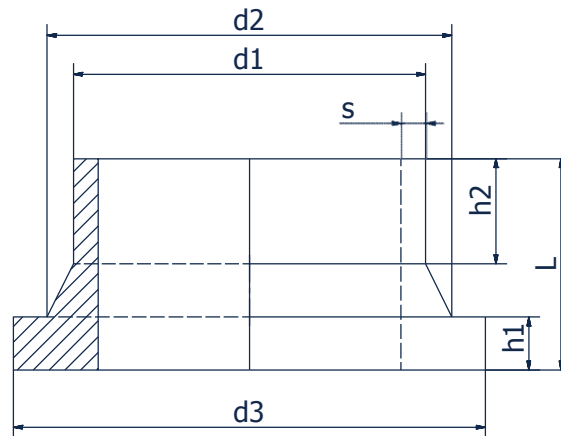
Reducers other than included in the tables are available upon request.

**PN10 SDR17 SHORT  
FLANGED BUSH**
**Material:** PE100

**Colour(s):** Black

**Operating pressure:**  
10 Bar (SDR17 PN10)

**Standards:**  
PN-EN 12201-3+A1:2013  
Fittings approved by PZH (Polish Institute of Hygiene)

**Documents:**  
National Declaration of  
Performance

**SHORT FLANGED BUSH**

CODE	d1 [mm]	DN	SDR	d2 [mm]	d3 [mm]	L [mm]	h1 [mm]	h2 [mm]	s [mm]
010 17 20 120	20	16	17	27	45	50	10	16	2.0
010 17 25 120	25	20	17	33	58	50	10	18	2.0
010 17 32 120	32	25	17	40	68	50	10	18	2.0
010 17 40 120	40	32	17	50	78	50	11	20	2.4
010 17 50 120	50	40	17	61	88	50	12	20	3.0
010 17 63 120	63	50	17	75	102	80	14	38	3.8
010 17 75 120	75	65	17	89	122	100	16	56	4.5
010 17 125 120	125	100	17	132	158	85	25	32	7.4
010 17 140 120	140	125	17	155	188	85	25	40	8.3
010 17 180 120	180	150	17	180	212	100	30	80	10.7
010 17 200 120	200	200	17	232	268	120	32	64	11.9
010 17 280 120	280	280	17	291	320	110	35	38	16.6
010 17 355 120	355	355	17	373	430	100	40	32	21.1
010 17 400 120	400	400	17	427	482	120	46	42	23.7
010 17 450 120	450	500	17	514	585	120	46	27	26.7
010 17 500 120	500	500	17	530	585	120	46	37	29.7
010 17 560 120	560	500	17	615	685	130	50	20	33.2
010 17 630 120	630	600	17	642	685	130	50	40	37.4
010 17 710 120	710	700	17	737	800	130	50	40	42.1
010 17 800 120	800	800	17	840	905	130	52	40	47.4
010 17 900 120	900	900	17	944	1005	140	55	40	53.0

Bushes other than included in the tables are available upon request.

**PN16 SDR11 SHORT  
FLANGED BUSH**

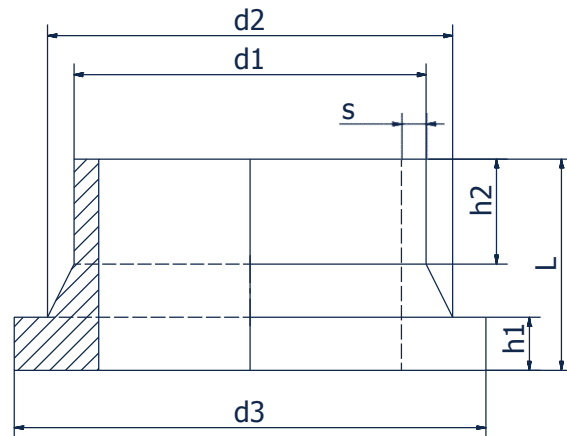
**Material:** PE100

**Colour(s):** Black

**Operating pressure:**  
16 Bar (SDR11 PN16)

**Standards:**  
PN-EN 12201-3+A1:2013  
Fittings approved by PZH (Polish Institute of Hygiene)

**Documents:**  
National Declaration of  
Performance



**SHORT FLANGED BUSH**

CODE	d1 [mm]	DN	SDR	d2 [mm]	d3 [mm]	L [mm]	h1 [mm]	h2 [mm]	s [mm]
010 11 20 120	20	16	11	27	45	50	10	16	2.0
010 11 25 120	25	20	11	33	58	50	10	18	2.3
010 11 32 120	32	25	11	40	68	50	10	18	3.0
010 11 40 120	40	32	11	50	78	50	11	20	3.7
010 11 50 120	50	40	11	61	88	50	12	20	4.6
010 11 63 120	63	50	11	75	102	80	14	38	5.8
010 11 75 120	75	65	11	89	122	100	16	56	6.8
010 11 125 120	125	100	11	132	158	85	25	32	11.4
010 11 140 120	140	125	11	155	188	85	25	40	12.7
010 11 180 120	180	150	11	180	212	100	30	80	16.4
010 11 200 120	200	200	11	232	268	120	32	64	18.2
010 11 280 120	280	280	11	291	320	110	35	38	25.4
010 11 355 120	355	355	11	373	430	100	40	32	32.2
010 11 400 120	400	400	11	427	482	120	46	42	36.3
010 11 450 120	450	500	11	514	585	120	60	27	40.9
010 11 500 120	500	500	11	530	585	120	60	37	45.4
010 11 560 120	560	500	11	615	685	130	60	20	50.8
010 11 630 120	630	600	11	642	685	130	60	40	57.2
010 11 710 120	710	700	11	737	800	130	85	40	64.5
010 11 800 120	800	800	11	840	905	130	95	40	72.6
010 11 900 120	900	900	11	944	1005	140	100	40	81.7

Bushes other than included in the tables are available upon request.

## PN10 SDR17 LONG FLANGED BUSH

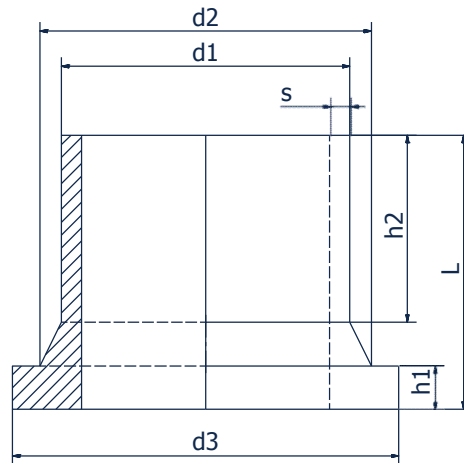
**Material:** PE100

**Colour(s):** Black

**Operating pressure:**  
10 Bar (SDR17 PN10)

**Standards:**  
PN-EN 12201-3+A1:2013  
Fittings approved by PZH (Polish Institute of Hygiene)

**Documents:**  
National Declaration of  
Performance



## LONG FLANGED BUSH

CODE	d1 [mm]	DN	d3 [mm]	L [mm]	h1 [mm]	h2 [mm]	s [mm]
011 17 90 200	90	80	138	139	17	100	5.4
011 17 110 200	110	100	158	137	18	90	6.6
011 17 140 200	140	125	188	180	25	120	8.3
011 17 160 200	160	150	212	205	25	120	9.5
011 17 180 200	180	150	212	200	30	130	10.7
011 17 225 200	225	200	268	190	35	130	13.4
011 17 250 200	250	250	320	190	35	125	14.8
011 17 315 200	315	300	370	225	35	150	18.7

Bushes other than included in the tables are available upon request.



**PN16 SDR11 LONG  
FLANGED BUSH**

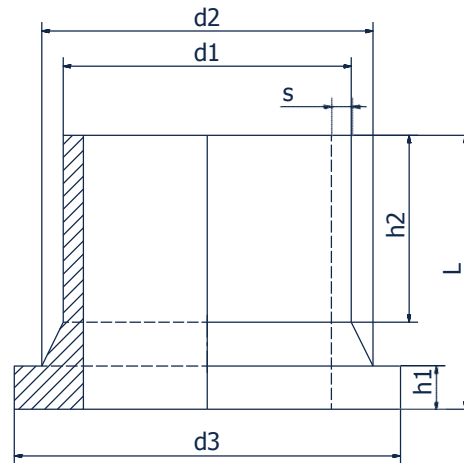
**Material:** PE100

**Colour(s):** Black

**Operating pressure:**  
16 Bar (SDR11 PN16)

**Standards:**  
PN-EN 12201-3+A1:2013  
Fittings approved by PZH (Polish Institute of Hygiene)

**Documents:**  
National Declaration of  
Performance



**LONG FLANGED BUSH**

CODE	d1 [mm]	DN	d3 [mm]	L [mm]	h1 [mm]	h2 [mm]	s [mm]
011 11 90 200	90	80	138	139	17	100	8.2
011 11 110 200	110	100	158	137	18	90	10
011 11 140 200	140	125	188	180	25	120	11.4
011 11 160 200	160	150	212	205	25	120	14.6
011 11 180 200	180	150	212	200	30	130	16.4
011 11 225 200	225	200	268	190	35	130	20.5
011 11250200	250	250	320	190	35	125	22.7
011 11315200	315	300	370	225	35	150	28.6

Bushes other than included in the tables are available upon request.

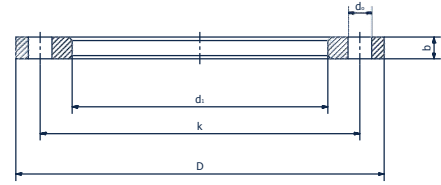
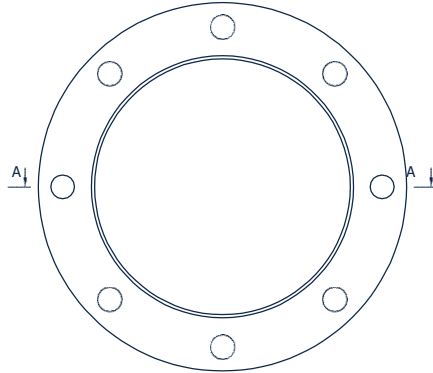
**PN10 LOOSE CLAMPING FLANGE  
[FOR DN20 TO DN150 PN16]**

**Material:**  
Steel

**Anti-corrosion protection:** surface galvanisation

**Standards:**  
PN-ISO 9624 (June 2001), PN-EN 1092-1  
+A1:2013

Flanges approved by PZH (Polish Institute of Hygiene)


**FLANGES**

CODE	DN	PE [mm]	D [mm]	d1 [mm]	b [mm]	k [mm]	do [mm]	holes	M	[kg/pc]
411 10 20 25	20	25	105	34	12	75	14	4	M 12	0.78
411 10 25 32	25	32	115	42	14	85	14	4	M 12	0.90
411 10 32 40	32	40	140	52	14	100	18	4	M 16	1.30
411 10 40 50	40	50	150	63	16	110	18	4	M 16	1.50
411 10 50 63	50	63	165	78	16	125	18	4	M 16	1.90
411 10 65 75	65	75	185	92	16	145	18	4	M 16	2.30
411 10 80 90	80	90	200	108	18	160	18	8	M 16	2.80
411 10 100 110	100	110	220	128	18	180	18	8	M 16	3.20
411 10 100 125	100	125	220	135	18	180	18	8	M 16	3.00
411 10 125 125	125	125	250	135	18	210	18	8	M 16	4.50
411 10 125 140	125	140	250	158	18	210	18	8	M 16	3.90
411 10 150 160	150	160	285	178	20	240	22	8	M 20	5.20
411 10 150 180	150	180	285	186	20	240	22	8	M 20	5.00
411 10 200 200	200	200	340	235	20	295	22	8	M 20	6.50
411 10 200 225	200	225	340	238	20	295	22	8	M 20	6.70
411 10 250 250	250	250	395	289	24	350	22	12	M 20	10.50
411 10 250 280	250	280	395	295	24	350	22	12	M 20	10.20
411 10 300 315	300	315	445	339	26	400	22	12	M 20	13.60
411 10 350 355	350	355	505	377	30	460	22	16	M 20	21.00
411 10 400 400	400	400	565	431	32	515	26	16	M 24	24.00
411 10 450 450	450	450	615	470	34	565	26	20	M 24	26.00
411 10 500 450	500	450	670	517	38	620	26	20	M 24	39.00
411 10 500 500	500	500	670	533	38	620	26	20	M 24	36.00
411 10 600 560	600	560	780	618	42	725	30	20	M 27	53.00
411 10 600 630	600	630	780	645	42	725	30	20	M 27	47.00

The above table contains standard sizes.  
Custom sizes / dimensions are also available.

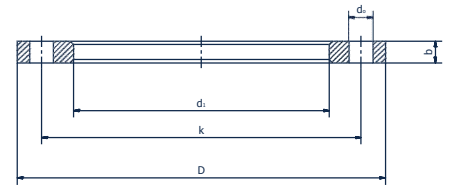
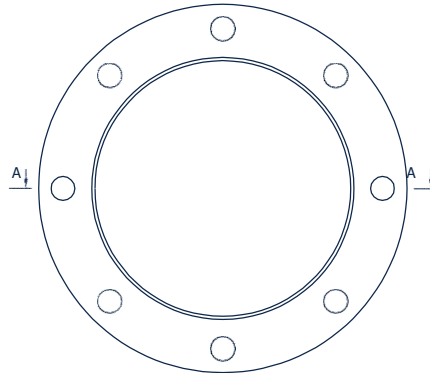
**PN16 LOOSE CLAMPING FLANGE**

**Material:**  
Steel

**Anti-corrosion protection:** surface galvanisation

**Standards:**  
PN-ISO 9624 (June 2001), PN-EN 1092-1 +A1:2013

Flanges approved by PZH (Polish Institute of Hygiene)



FOR DN20-DN150 PN16 FLANGES, WE USE PN10 FLANGES

**FLANGES**

CODE	DN	PE [mm]	D [mm]	d1 [mm]	b [mm]	k [mm]	do [mm]	holes	M	[kg/pc]
411 16 200 200	200	200	340	235	23	295	22	12	M 20	7.30
411 16 200 225	200	225	340	238	23	295	22	12	M 20	7.50
411 16 250 250	250	250	405	289	29	355	26	12	M 24	12.50
411 16 250 280	250	280	405	295	29	355	26	12	M 24	12.00
411 16 300 315	300	315	460	339	34	410	26	12	M 24	17.00
411 16 350 355	350	355	520	376	36	470	26	16	M 24	26.00
411 16 400 400	400	400	580	431	41	525	30	16	M 27	31.00
411 16 450 450	450	450	670	517	42	585	30	20	M 30	39.00
411 16 500 450	500	450	715	517	42	650	33	20	M 30	57.00
411 16 500 500	500	500	715	533	42	650	33	20	M 30	52.00
411 16 600 560	600	560	840	618	48	770	36	20	M 30	91.00
411 16 600 630	600	630	840	645	48	770	36	20	M 30	77.00

The above table contains standard sizes.  
Custom sizes / dimensions are also available.

## PN10 SDR17 COVER PLUG

**Material:** PE100

**Colour(s):** Black

**Operating pressure:** 10 Bar (SDR17 PN10)

**Documents:**

National Declaration of Performance

**Standards:**

PN-EN 12201-3+A1:2013

Fittings approved by PZH (Polish Institute of Hygiene)

## PN16 SDR11 COVER PLUG

**Material:** PE100

**Colour(s):** Black

**Operating pressure:** 16 Bar (SDR11 PN16)

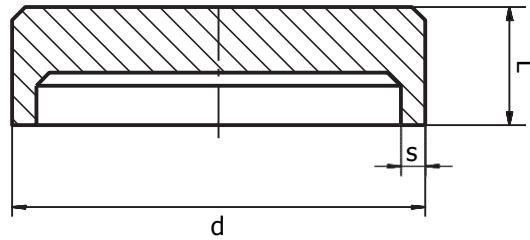
**Documents:**

National Declaration of Performance

**Standards:**

PN-EN 12201-3+A1:2013

Fittings approved by PZH (Polish Institute of Hygiene)



## COVER PLUG

CODE	d1 [mm]	L [mm]	s [mm]
014 17 40 70	40	70	2.4
014 17 50 70	50	70	3.0
014 17 63 80	63	80	3.8
014 17 75 80	75	80	4.5
014 17 90 80	90	80	5.4
014 17 110 90	110	90	6.6
014 17 125 80	125	80	7.4
014 17 140 90	140	90	8.3
014 17 160 100	160	100	9.5
014 17 180 100	180	100	10.7
014 17 200 110	200	110	11.9
014 17 225 90	225	90	13.4
014 17 250 110	250	110	14.8
014 17 280 90	280	90	16.6
014 17 315 90	315	90	18.7
014 17 355 90	355	90	21.1
014 17 400 90	400	90	23.7
014 17 450 90	450	90	26.7
014 17 500 90	500	90	29.7
014 17 560 90	560	90	33.2
014 17 630 90	630	90	37.4

CODE	d1 [mm]	L [mm]	s [mm]
014 11 40 70	40	70	3.7
014 11 50 70	50	70	4.6
014 11 63 80	63	80	5.8
014 11 75 80	75	80	6.9
014 11 90 80	90	80	8.2
014 11 110 90	110	90	10.0
014 11 125 80	125	80	11.4
014 11 140 90	140	90	12.8
014 11 160 100	160	100	14.6
014 11 180 100	180	100	16.4
014 11 200 110	200	110	18.2
014 11 225 90	225	90	20.5
014 11 250 110	250	110	22.8
014 11 280 90	280	90	25.5
014 11 315 90	315	90	28.7
014 11 355 90	355	90	32.3
014 11 400 90	400	90	36.4
014 11 450 90	450	90	41.0
014 11 500 90	500	90	45.4
014 11 560 90	560	90	50.8
014 11 630 90	630	90	57.2

## LEAK-PROOF PENETRATION SLEEVE (120 MM)

### Material:

PEHD / PP

### Colour(s):

Black / grey

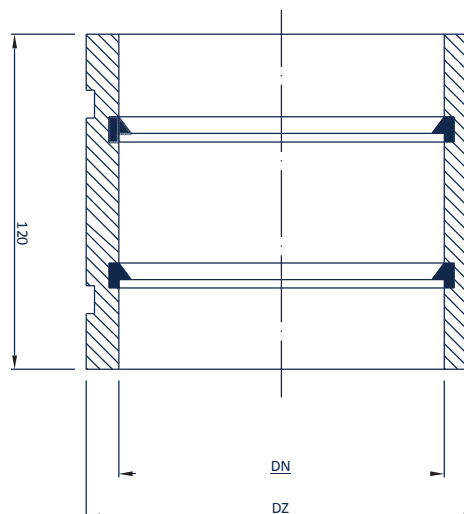
### Installation method:

To be concreted into a wall

- corrugated leak-proof  
penetration sleeve

To be welded into a PEHD chamber

/ PP - smooth leak-proof  
penetration



## LEAK-PROOF PENETRATION SLEEVE (L=120 MM), 2 GASKETS

CODE	DN [mm]	DZ [mm]
015 2 32 120	32	-
015 2 40 120	40	-
015 2 50 120	50	-
015 2 63 120	63	-
015 2 75 120	75	-
015 2 90 120	90	125
015 2 110 120	110	140
015 2 125 120	125	160
015 2 140 120	140	180
015 2 160 120	160	200
015 2 180 120	180	225
015 2 200 120	200	250
015 2 225 120	225	280
015 2 250 120	250	315
015 2 280 120	280	355
015 2 315 120	315	355
015 2 355 120	355	400
015 2 400 120	400	450
015 2 450 120	450	500
015 2 500 120	500	560
015 2 560 120	560	-
015 2 630 120	630	-
015 2 710 120	710	-
015 2 800 120	800	-
015 2 900 120	900	-
015 2 1000 120	1000	-

**LEAK-PROOF  
PENETRATION  
SLEEVE (240 MM)**

**Material:**

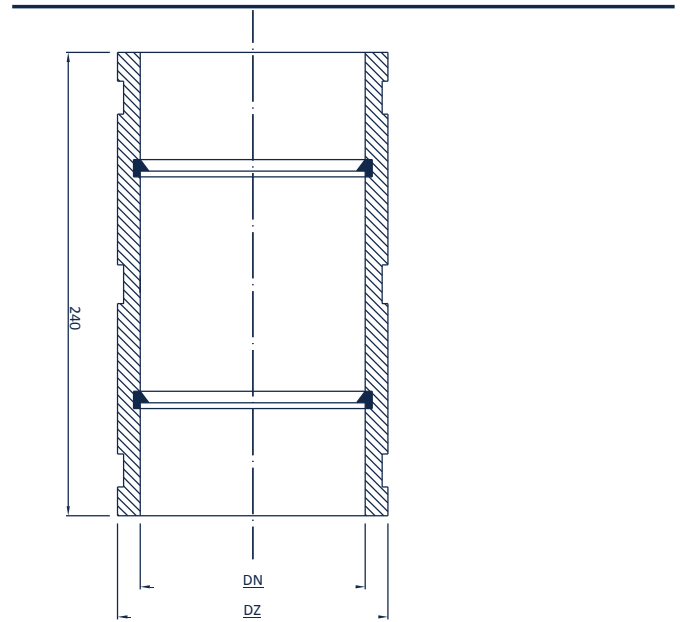
PEHD / PP

**Colour(s):**

Black / grey

**Installation method:**

To be concreted into a wall  
- corrugated leak-proof  
penetration sleeve  
To be welded into a PEHD chamber  
/ PP - smooth leak-proof  
penetration



**LEAK-PROOF PENETRATION SLEEVE (L=240 MM), 2 GASKETS**

CODE	DN [mm]	DZ [mm]
015 2 32 240	32	-
015 2 40 240	40	-
015 2 50 240	50	-
015 2 63 240	63	-
015 2 75 240	75	-
015 2 90 240	90	125
015 2 110 240	110	140
015 2 125 240	125	160
015 2 140 240	140	180
015 2 160 240	160	200
015 2 180 240	180	225
015 2 200 240	200	250
015 2 225 240	225	280
015 2 250 240	250	315
015 2 280 240	280	355
015 2 315 240	315	355
015 2 355 240	355	400
015 2 400 240	400	450
015 2 450 240	450	500
015 2 500 240	500	560
015 2 560 240	560	-
015 2 630 240	630	-
015 2 710 240	710	-
015 2 800 240	800	-
015 2 900 240	900	-
015 2 1000 240	1000	-

Flap valves are terminal devices used in sewage and land drainage systems. They provide protection from the backflow of water or wastewater into the sewage system. Flap valves can be installed at outlets from sewage systems or floodbank culverts (for agricultural drainage ditches or natural watercourses) into drainage channels with a variable water table. Our flap valves are designed for installation at the end of a gravity flow pipeline (not pressurised pipelines). They are not designed for use with pumps, particularly high-efficiency pumps. S plastic flat valves are made to custom specifications.

## AVAILABLE FLAP VALVE VERSIONS

- Straight flap valves for on-wall installation
- (KP), Sloping flap valves for on-wall installation (KS)
- Sloping flap valves for installation onto a clamping flange (KSK)
- Sloping flap valves for on-pipe installation (spigot) (KNR)
- Sloping flap valves for installation into a pipe (KDR)

## HOW DO FLAP VALVES WORK?

Flap valves are activated automatically by the difference in the pressure exerted on the surfaces inside the valve. The valve will open if the water pressure from the side of the sewage system is greater and close if the water pressure from the side of the receiving device is greater. As the valve is correctly balanced, the discharge of sewage from the sewage system is not affected.

## TECHNICAL DESIGN DETAILS

Flap valves are designed for installation on the concrete face of a wastewater sewer or storm water sewer. They can also be designed to be connected by means of a flange or a coupling with an existing sewage system or storm water drainage system. S plastic can also supply flap valves designed for specific installation



## ANTI-CORROSION PROTECTION

S Plastic flap valves are made of high-density polyethylene (PEHD). Polyethylene does not corrode and is resistant to aggressive substances found in sewage or storm water. Our flap valves are sealed with rubber or silicone gaskets.

This catalogue shows only typical or standard products offered by S Plastic, and the drawings provided in this catalogue are only part of the available solutions.

Flap valves with a diameter of 600 mm (DN 600) come with stainless steel rails embedded in plastic.

All installation and design details are always discussed and agreed upon in all our projects to make sure that our flap valves are designed for the required installation method and site conditions. We are prepared to design and manufacture products of various shapes, durability and for various applications, depending on the customer's requirements.

Flap valves will work properly only if the required ballast is provided.

S Plastic flap valves, gate valves and penstock valves are officially approved for use (National Technical Approval No.ITP-KOT-2017/0005, Issue 1)





**KP FLAT VALVE**

**Material:**

PEHD

**Colour(s):**

Black

**Operating pressure:**

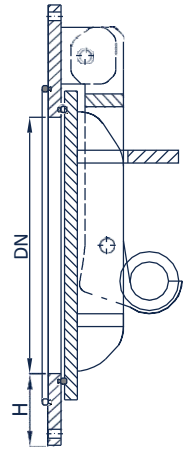
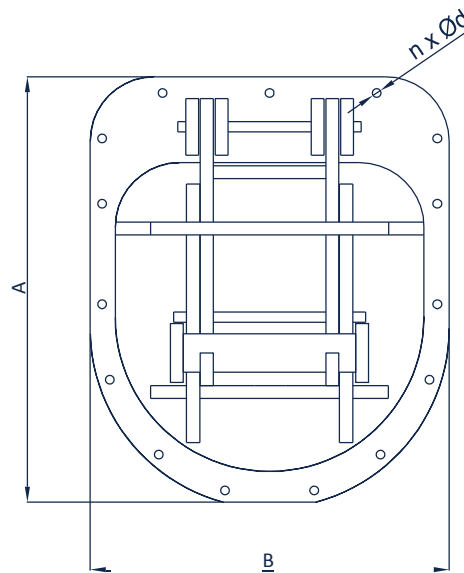
Designed for use with gravity flow (non-pressurised) systems

**Installation method:**

To be installed onto a flat wall

**Documents**

National Technical Assessment  
No. ITP-KOT-2017/0005, Issue 1



**STRAIGHT FLAP VALVE FOR ON-WALL INSTALLATION (TYPE: KP)**

CODE	DN [mm]	ØDn [mm]	A [mm]	B [mm]	H [mm]	Quantit holes	Ød [mm]
039 1 110	100	110	240	210	45	4	16
039 1 160	150	160	290	250	48	4	20
039 1 200	200	200/225	330	295	48	4	20
039 1 250	250	250/280	405	370	59	6	20
039 1 300	300	318	470	430	57	6	20
039 1 355	350	350	550	500	75	6	20
039 1 400	400	400	645	590	94	8	24
039 1 450	450	450	730	640	94	10	24
039 1 500	500	500	830	700	140	10	24
039 1 600	600	560/630	980	850	140	10	24
039 1 700	700	710	1100	950	140	12	24
039 1 800	800	800	1300	1100	150	12	24
039 1 900	900	900	1380	1200	150	12	24
039 1 1000	1000	1000	1450	1300	155	16	24
039 1 1200	1200	1200	1800	1480	214	16	24
039 1 1250	1250	*	*	*	*	*	*
039 1 1400	1400	*	*	*	*	*	*
039 1 1500	1500	*	*	*	*	*	*
039 1 1600	1600	*	*	*	*	*	*
039 1 1800	1800	*	*	*	*	*	*
039 1 2000	2000	*	*	*	*	*	*

\* Ask us for a quotation.

## FLAP VALVE - KS/KSK

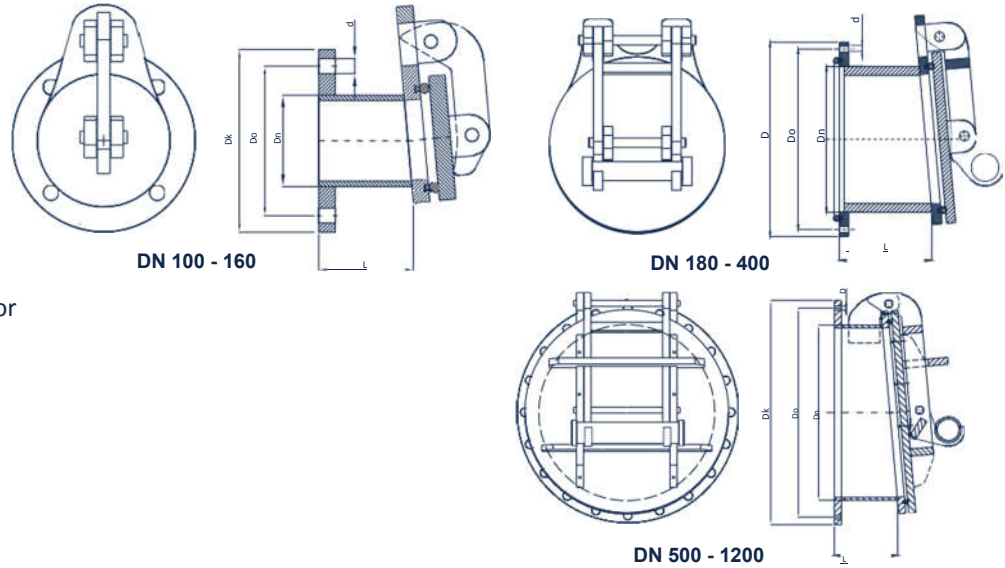
**Material:**  
PEHD

**Colour(s):**  
Black

**Operating pressure:** Designed for use with gravity flow (non-pressurised) systems

**Installation method:**  
To be installed onto a flat wall / a flange

**Documents:**  
National Technical Assessment  
No. ITP-KOT-2017/0005, Issue 1



## SLOPING FLAP VALVE TO BE INSTALLED ONTO A WALL (TYPE: KS)/ A FLANGE (TYPE: KSK)

CODE	DN [mm]	Dn [mm]	Dk [mm]	L [mm]	d [mm]	Do [mm]	hole (s)	M
039 2 110	110	110	220	114	18	180	4	M 16
039 2 160	160	160	260	180	22	240	4	M 20
039 2 200	200	200	260	170	22	240	4	M 20
039 2 250	250	250	325	240	22	294	6	M 20
039 2 300	300	315	420	200	22	390	6	M 20
039 2 355	355	355	460	240	22	420	6	M 20
039 2 400	400	400	520	260	26	520	8	M 24
039 2 450	450	450	580	260	26	530	10	M 24
039 2 500	500	500	640	280	26	590	10	M 24
039 2 600	600	620	800	310	26	700	10	M 24
039 2 700	700	720	900	400	26	850	12	M 24
039 2 800	800	820	1030	420	26	940	12	M 24
039 2 900	900	940	1160	500	26	1050	12	M 24
039 2 1000	1000	1040	1290	500	26	1170	16	M 24
039 2 1200	1200	1240	1520	500	26	1400	16	M 24
039 2 1250	1250	*	*	*	*	*	*	*
039 2 1400	1400	*	*	*	*	*	*	*
039 2 1500	1500	*	*	*	*	*	*	*
039 2 1600	1600	*	*	*	*	*	*	*
039 2 1800	1800	*	*	*	*	*	*	*
039 2 2000	2000	*	*	*	*	*	*	*

\* Ask us for a quotation.

## FLAP VALVE (KNR)

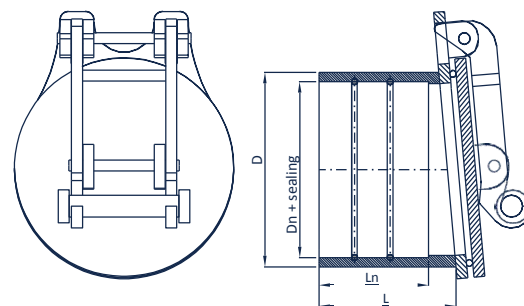
**Material:**  
PEHD

**Colour(s):**  
Black

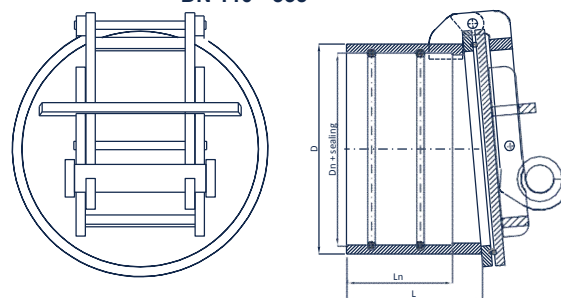
**Operating pressure:**  
Designed for use with gravity flow (non-pressurised) systems

**Installation method:**  
To be installed outside a pipe

**Documents:**  
National Technical Assessment  
No. ITP-KOT-2017/0005, Issue 1



DN 110 - 335



DN 400 - 1200

## SLOPING FLAP VALVE FOR ON-PIPE INSTALLATION, WITH A SOCKET (TYPE: KNR)

CODE	DN [mm]	Dn [mm]	D [mm]	Ln [mm]	L [mm]
039 4 110	110	110	140	200	220
039 4 160	160	160	200	200	220
039 4 200	200	200	250	200	220
039 4 250	250	250	280	200	250
039 4 300	300	315	355	200	250
039 4 355	355	355	400	200	250
039 4 400	400	400	450	250	300
039 4 450	450	450	500	300	360
039 4 500	500	500	560	300	360
039 4 600	600	600	-	400	550
039 4 700	700	700	-	400	550
039 4 800	800	800	-	500	600
039 4 900	900	900	-	500	600
039 4 1000	1000	1000	-	500	700
039 4 1200	1200	*	*	*	*
039 4 1250	1250	*	*	*	*
039 4 1400	1400	*	*	*	*
039 4 1500	1500	*	*	*	*
039 4 1600	1600	*	*	*	*
039 4 1800	1800	*	*	*	*
039 4 2000	2000	*	*	*	*

\* Ask us for a quotation.

The above table contains standard sizes. The final dimensions are agreed with the customer.

**FLAP VALVE (KDR)**
**Material:**

PEHD

**Colour(s):**

Black

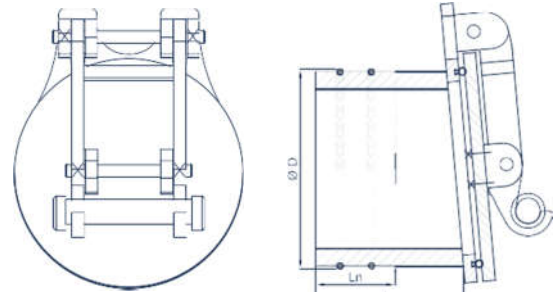
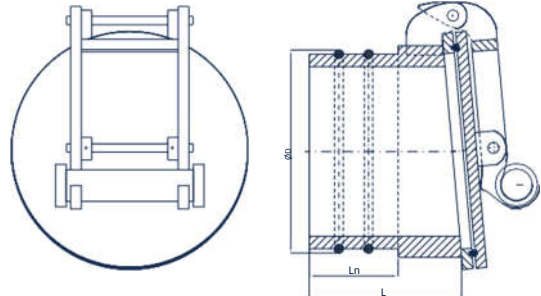
**Operating pressure:**

Designed for use with gravity flow (non-pressurised) systems

**Installation method:**

To be installed into a pipe

**Documents:**

 National Technical Assessment  
 No. ITP-KOT-2017/0005, Issue 1

**DN 110 - 400**

**DN 450 - 1200**
**SLOPING FLAP VALVE FOR INSTALLATION INTO A PIPE (KDR)**

CODE	DN [mm]	ØD PE SDR17 [mm]	ØD PVC [mm]	L <sub>n</sub> [mm]	L [mm]
039 3 110	110	97	103	100	160
039 3 160	160	141	150	100	160
039 3 200	200	176	188	130	200
039 3 250	250	220	235	150	240
039 3 300	300	278	296	130	240
039 3 355	355	313	-	150	260
039 3 400	400	353	376	190	260
039 3 450	450	397	-	200	260
039 3 500	500	441	470	210	300
039 3 600	600	556	593	300	550
039 3 700	700	626	-	300	550
039 3 800	800	706	-	300	600
039 3 900	900	794	-	420	600
039 3 1000	1000	882	-	420	700
039 3 1200	1200	*	*	*	*
039 3 1250	1250	*	*	*	*
039 3 1400	1400	*	*	*	*
039 3 1500	1500	*	*	*	*
039 3 1600	1600	*	*	*	*
039 3 1800	1800	*	*	*	*
039 3 2000	2000	*	*	*	*

\* Ask us for a quotation.

The above table contains standard sizes. The final dimensions are agreed with the customer.

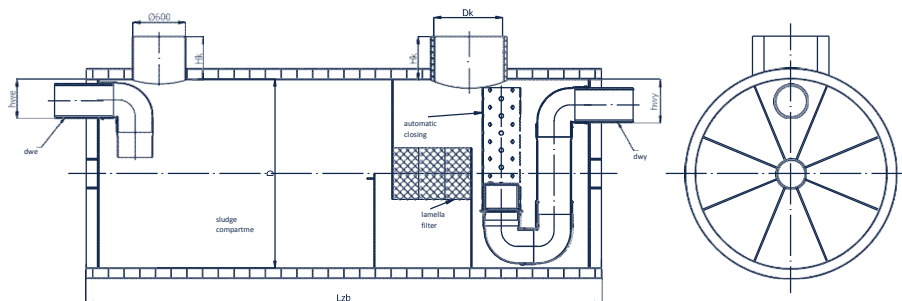
**OIL/WATER SEPARATOR: HORIZONTAL,  
WITH A SLUDGE COMPARTMENT, A LAMELLA  
FILTER AND AUTOMATIC CLOSING (TYPE: SR)**

**Material:**  
PEHD

**Colour(s):**

**Documents:**

Statement of approval of the product for use, as a custom-made product, in a civil structure



**SEPARATOR (TYPE: SR) BACKFILL: 0.5 M**

CODE	TYPE	Q [l/s]	D [mm]	Lzb [m]	dwe/dwy [mm]	hwe [mm]	hwy [mm]	Dk1/Dk2 [mm]	Hk [m]	chimney [pcs.]
054 2 05	SR 2	2	1000	1.5	110	160	210	— /800	0.5	1
054 3 05	SR 3	3	1000	2.0	160	210	260	— /800	0.5	1
054 6 05	SR 6	6	1200	2.0	160	210	260	— /800	0.5	1
054 8 05	SR 8	8	1400	2.0	160	210	260	— /800	0.5	2
054 10 05	SR 10	10	1400	2.5	200	250	300	600/800	0.5	2
054 12 05	SR 12	12	1400	2.8	200	250	300	600/800	0.5	2
054 15 05	SR 15	15	1400	3.0	200	250	300	600/800	0.5	2
054 20 05	SR 20	20	1400	3.6	200	250	300	600/800	0.5	2
054 25 05	SR 25	25	1400	4.0	200	250	300	600/800	0.5	2
054 30 05	SR 30	30	1400	5.0	200	250	300	600/800	0.5	2
054 35 05	SR 35	35	1600	4.5	315	365	415	600/800	0.5	2
054 40 05	SR 40	40	1600	5.0	315	365	415	600/800	0.5	2
054 45 05	SR 45	45	1800	4.5	315	365	415	600/800	0.5	2
054 50 05	SR 50	50	1800	5.0	315	365	415	600/800	0.5	2
054 60 05	SR 60	60	1800	5.5	315	365	415	600/800	0.5	2
054 65 05	SR 65	65	1800	6.0	315	365	415	600/800	0.5	2
054 70 05	SR 70	70	2000	5.5	315	365	415	600/800	0.5	2
054 80 05	SR 80	80	2000	6.0	315	365	415	600/800	0.5	2
054 90 05	SR 90	90	2200	6.0	400	450	500	600/800	0.5	2
054 100 05	SR 100	100	2200	6.8	400	450	500	600/800	0.5	2
054 120 05	SR 120	120	2200	7.5	400	450	500	600/800	0.5	2
054 130 05	SR 130	130	2400	7.0	400	450	500	600/800	0.5	2
054 140 05	SR 140	140	2400	7.5	400	450	500	600/800	0.5	2
054 050 05	SR 150	150	2400	8.0	400	450	500	600/800	0.5	2
054 160 05	SR 160	160	2400	8.5	400	450	500	600/800	0.5	2
054 170 05	SR 170	170	2400	9.0	400	450	500	600/800	0.5	2
054 180 05	SR 180	180	2400	9.5	400	450	500	600/800	0.5	2

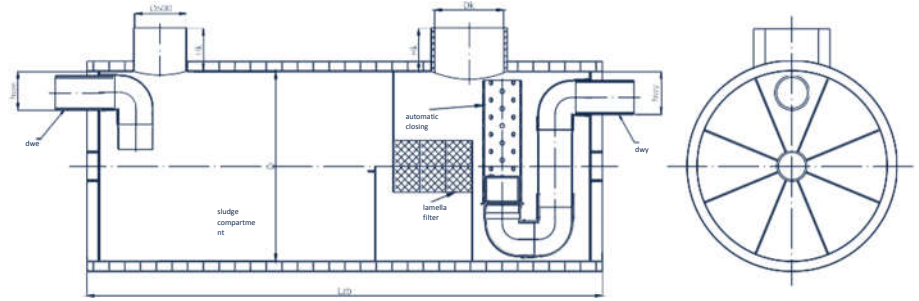
## OIL/WATER SEPARATOR: LEVELS, WITH A SLUDGE COMPARTMENT, WITH A LAMELLA FILTER AND AUTOMATIC CLOSING (TYPE: SR)

**Material:**  
PEHD

**Colour(s):**  
Black

**Documents:**

Statement of approval of the product for use, as a custom-made product, in a civil structure



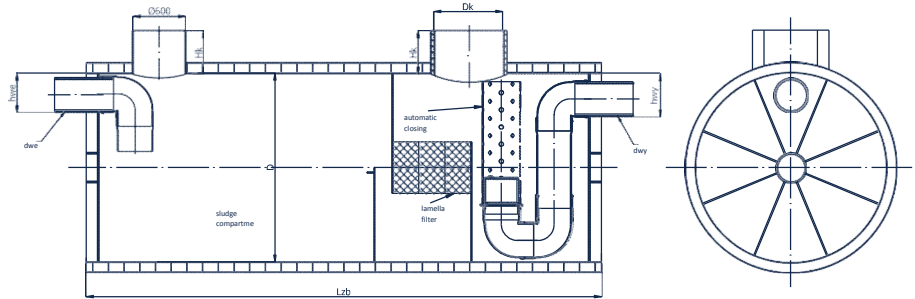
### SEPARATOR (TYPE: SR) BACKFILL: 1.0 M

CODE	TYPE	Q [l/s]	D [mm]	Lzb [m]	dwe/dwy [mm]	hwe [mm]	hwy [mm]	Dk1/Dk2 [mm]	Hk [m]	chimney [pcs.]
054 2 10	SR 2	2	1000	1.5	110	160	210	— /800	1.0	1
054 3 10	SR 3	3	1000	2.0	160	210	260	— /800	1.0	1
054 6 10	SR 6	6	1200	2.0	160	210	260	— /800	1.0	1
054 8 10	SR 8	8	1400	2.0	160	210	260	— /800	1.0	2
054 10 10	SR 10	10	1400	2.5	200	250	300	600/800	1.0	2
054 12 10	SR 12	12	1400	2.8	200	250	300	600/800	1.0	2
054 15 10	SR 15	15	1400	3.0	200	250	300	600/800	1.0	2
054 20 10	SR 20	20	1400	3.6	200	250	300	600/800	1.0	2
054 25 10	SR 25	25	1400	4.0	200	250	300	600/800	1.0	2
054 30 10	SR 30	30	1400	5.0	200	250	300	600/800	1.0	2
054 35 10	SR 35	35	1600	4.5	315	365	415	600/800	1.0	2
054 40 10	SR 40	40	1600	5.0	315	365	415	600/800	1.0	2
054 45 10	SR 45	45	1800	4.5	315	365	415	600/800	1.0	2
054 50 10	SR 50	50	1800	5.0	315	365	415	600/800	1.0	2
054 60 10	SR 60	60	1800	5.5	315	365	415	600/800	1.0	2
054 65 10	SR 65	65	1800	6.0	315	365	415	600/800	1.0	2
054 70 10	SR 70	70	2000	5.5	315	365	415	600/800	1.0	2
054 80 10	SR 80	80	2000	6.0	315	365	415	600/800	1.0	2
054 90 10	SR 90	90	2200	6.0	400	450	500	600/800	1.0	2
054 100 10	SR 100	100	2200	6.8	400	450	500	600/800	1.0	2
054 120 10	SR 120	120	2200	7.5	400	450	500	600/800	1.0	2
054 130 10	SR 130	130	2400	7.0	400	450	500	600/800	1.0	2
054 140 10	SR 140	140	2400	7.5	400	450	500	600/800	1.0	2
054 100 10	SR 150	150	2400	8.0	400	450	500	600/800	1.0	2
054 160 10	SR 160	160	2400	8.5	400	450	500	600/800	1.0	2
054 170 10	SR 170	170	2400	9.0	400	450	500	600/800	1.0	2
054 180 10	SR 180	180	2400	9.5	400	450	500	600/800	1.0	2
054 200 10	SR 200	200	2400	10.5	400	450	500	600/800	1.0	2

**OIL/WATER SEPARATOR: HORIZONTAL,  
WITH A SLUDGE COMPARTMENT, A LAMELLA  
FILTER AND AUTOMATIC CLOSING (TYPE: SR)**

**Material:**  
PEHD

**Colour(s):**



**Documents:**

Statement of approval of the product for use, as a custom-made product, in a civil structure

**SEPARATOR (TYPE: SR) BACKFILL: 1.5 M**

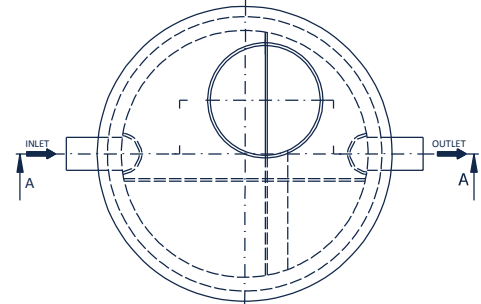
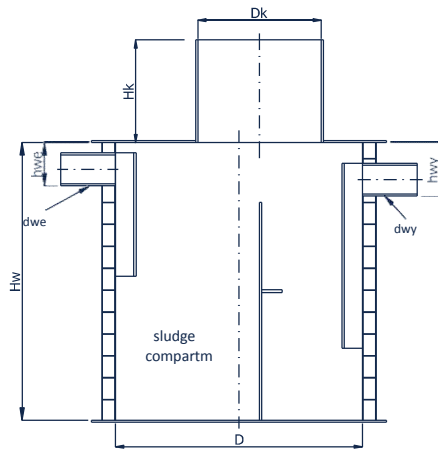
CODE	TYPE	Q [l/s]	D [mm]	Lzb [m]	dwe/dwy [mm]	hwe [mm]	hwy [mm]	Dk1/Dk2 [mm]	Hk [m]	chimney [pcs.]
054 2 15	SR 2	2	1000	1.5	110	160	210	— /800	1.5	1
054 3 15	SR 3	3	1000	2.0	160	210	260	— /800	1.5	1
054 6 15	SR 6	6	1200	2.0	160	210	260	— /800	1.5	1
054 8 15	SR 8	8	1400	2.0	160	210	260	— /800	1.5	2
054 10 15	SR 10	10	1400	2.5	200	250	300	600/800	1.5	2
054 12 15	SR 12	12	1400	2.8	200	250	300	600/800	1.5	2
054 15 15	SR 15	15	1400	3.0	200	250	300	600/800	1.5	2
054 20 15	SR 20	20	1400	3.6	200	250	300	600/800	1.5	2
054 25 15	SR 25	25	1400	4.0	200	250	300	600/800	1.5	2
054 30 15	SR 30	30	1400	5.0	200	250	300	600/800	1.5	2
054 35 15	SR 35	35	1600	4.5	315	365	415	600/800	1.5	2
054 40 15	SR 40	40	1600	5.0	315	365	415	600/800	1.5	2
054 45 15	SR 45	45	1800	4.5	315	365	415	600/800	1.5	2
054 50 15	SR 50	50	1800	5.0	315	365	415	600/800	1.5	2
054 60 15	SR 60	60	1800	5.5	315	365	415	600/800	1.5	2
054 65 15	SR 65	65	1800	6.0	315	365	415	600/800	1.5	2
054 70 15	SR 70	70	2000	5.5	315	365	415	600/800	1.5	2
054 80 15	SR 80	80	2000	6.0	315	365	415	600/800	1.5	2
054 90 15	SR 90	90	2200	6.0	400	450	500	600/800	1.5	2
054 100 15	SR 100	100	2200	6.8	400	450	500	600/800	1.5	2
054 120 15	SR 120	120	2200	7.5	400	450	500	600/800	1.5	2
054 130 15	SR 130	130	2400	7.0	400	450	500	600/800	1.5	2
054 140 15	SR 140	140	2400	7.5	400	450	500	600/800	1.5	2
054 150 15	SR 150	150	2400	8.0	400	450	500	600/800	1.5	2
054 160 15	SR 160	160	2400	8.5	400	450	500	600/800	1.5	2
054 170 15	SR 170	170	2400	9.0	400	450	500	600/800	1.5	2
054 180 15	SR 180	180	2400	9.5	400	450	500	600/800	1.5	2
054 200 15	SR 200	200	2400	10.5	400	450	500	600/800	1.5	2

## OIL/WATER SEPARATOR: VERTICAL, GRAVITY-FLOW TYPE (SRG)

**Material:**  
PEHD

**Colour(s):**  
Black

**Documents:**  
Statement of approval of the product for use, as a custom-made product, in a civil structure



### SEPARATOR (TYPE: SRG) BACKFILL: 0.5 M

CODE	TYPE	Q [l/s]	D [mm]	Hw [m]	dwe/dwy [mm]	hwe [mm]	hwy [mm]	Dk [mm]	Hk [m]
051 1 05	SRG 1	1	1000	1.10	110	160	210	600/800	0.5
051 2 05	SRG 2	2	1000	1.20	110	160	210	600/800	0.5
051 3 05	SRG 3	3	1200	1.30	110	160	210	600/800	0.5
051 5 05	SRG 5	5	1200	1.35	160	210	260	600/800	0.5
051 6 05	SRG 6	6	1200	1.55	160	210	260	600/800	0.5
051 7 05	SRG 7	7	1400	1.55	160	210	260	600/800	0.5
051 8 05	SRG 8	8	1400	1.65	160	210	260	600/800	0.5
051 10 05	SRG 10	10	1600	1.90	160	210	260	600/800	0.5
051 15 05	SRG 15	15	1800	1.93	200	250	300	600/800	0.5
051 20 05	SRG 20	20	1800	2.00	200	250	300	600/800	0.5

### SEPARATOR (TYPE: SRG) BACKFILL: 1.0 M

CODE	TYPE	Q [l/s]	D [mm]	Hw [m]	dwe/dwy [mm]	hwe [mm]	hwy [mm]	Dk [mm]	Hk [m]
051 1 10	SRG 1	1	1000	1.10	110	160	210	600/800	1.0
051 2 10	SRG 2	2	1000	1.20	110	160	210	600/800	1.0
051 3 10	SRG 3	3	1200	1.30	110	160	210	600/800	1.0
051 5 10	SRG 5	5	1200	1.35	160	210	260	600/800	1.0
051 6 10	SRG 6	6	1200	1.55	160	210	260	600/800	1.0
051 7 10	SRG 7	7	1400	1.55	160	210	260	600/800	1.0
051 8 10	SRG 8	8	1400	1.65	160	210	260	600/800	1.0
051 10 10	SRG 10	10	1600	1.90	160	210	260	600/800	1.0
051 15 10	SRG 15	15	1800	1.93	200	250	300	600/800	1.0
051 20 10	SRG 20	20	1800	2.00	200	250	300	600/800	1.0

The above table contains standard sizes.  
Custom sizes / dimensions are also available.

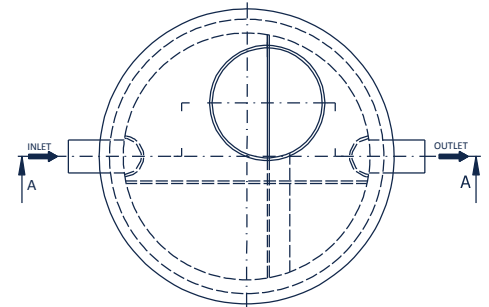
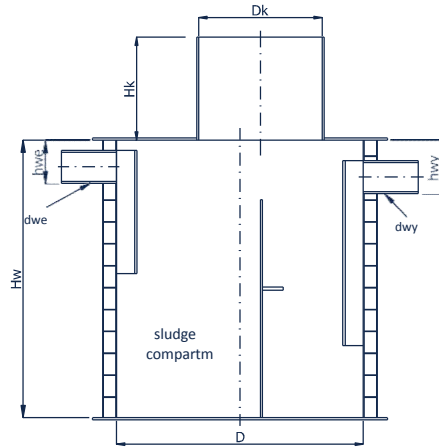


**OIL/WATER SEPARATOR: VERTICAL, GRAVITY-FLOW TYPE (SRG)**

**Material:**  
PEHD

**Colour(s):**  
Black

**Documents:**  
Statement of approval of the product for use, as a custom-made product, in a civil structure



**SEPARATOR (TYPE: SRG) BACKFILL: 1.5 M**

CODE	TYPE	Q [l/s]	D [mm]	Hw [m]	dwe/dwy [mm]	hwe [mm]	hwy [mm]	Dk [mm]	Hk [m]
051 1 15	SRG 1	1	1000	1.10	110	160	210	600/800	1.5
051 2 15	SRG 2	2	1000	1.20	110	160	210	600/800	1.5
051 3 15	SRG 3	3	1200	1.30	110	160	210	600/800	1.5
051 5 15	SRG 5	5	1200	1.35	160	210	260	600/800	1.5
051 6 15	SRG 6	6	1200	1.55	160	210	260	600/800	1.5
051 7 15	SRG 7	7	1400	1.55	160	210	260	600/800	1.5
051 8 15	SRG 8	8	1400	1.65	160	210	260	600/800	1.5
051 10 15	SRG 10	10	1600	1.90	160	210	260	600/800	1.5
051 15 15	SRG 15	15	1800	1.93	200	250	300	600/800	1.5
051 20 15	SRG 20	20	1800	2.00	200	250	300	600/800	1.5

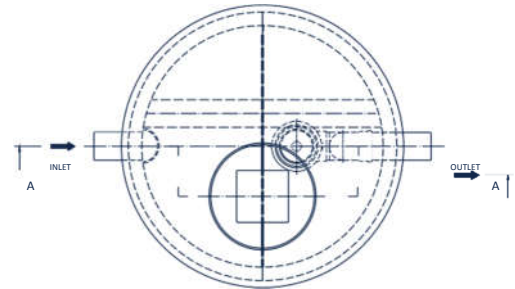
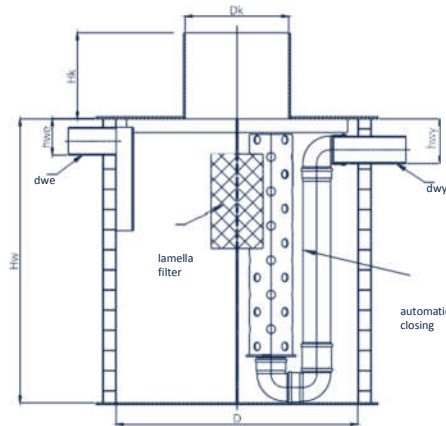
The above table contains standard sizes.  
Custom sizes / dimensions are also available.

## OIL/WATER SEPARATOR: VERTICAL, WITH A LAMELLA FILTER AND AUTOMATIC CLOSING (TYPE: SRP)

**Material:**  
PEHD

**Color(s):**  
Black

**Documents:**  
Statement of approval of the product for use, as a custom-made product, in a civil structure



### SEPARATOR (TYPE: SRP) BACKFILL: 0.5 M

CODE	TYPE	Q [l/s]	D [mm]	Hw [m]	dwe/dwy [mm]	hwe [mm]	hwy [mm]	Dk [mm]	Hk [m]
052 1 05	SRP 1	1	1000	1.10	110	160	210	600/800	0.5
052 2 05	SRP 2	2	1000	1.20	110	160	210	600/800	0.5
052 3 05	SRP 3	3	1200	1.30	110	160	210	600/800	0.5
052 5 05	SRP 5	5	1200	1.55	160	210	260	600/800	0.5
052 6 05	SRP 6	6	1400	1.65	160	210	260	600/800	0.5
052 8 05	SRP 8	8	1400	1.75	160	210	260	600/800	0.5
052 10 05	SRP 10	10	1600	1.90	160	210	260	600/800	0.5
052 15 05	SRP 15	15	1800	1.90	200	250	300	600/800	0.5
052 20 05	SRP 20	20	1800	2.00	200	250	300	600/800	0.5

### SEPARATOR (TYPE: SRP) BACKFILL: 1.0 M

CODE	TYPE	Q [l/s]	D [mm]	Hw [m]	dwe/dwy [mm]	hwe [mm]	hwy [mm]	Dk [mm]	Hk [m]
052 1 10	SRP 1	1	1000	1.10	110	160	210	600/800	1.0
052 2 10	SRP 2	2	1000	1.20	110	160	210	600/800	1.0
052 3 10	SRP 3	3	1200	1.30	110	160	210	600/800	1.0
052 5 10	SRP5	5	1200	1.55	160	210	260	600/800	1.0
052 6 10	SRP6	6	1400	1.65	160	210	260	600/800	1.0
052 8 10	SRP 8	8	1400	1.75	160	210	260	600/800	1.0
052 10 10	SRP 10	10	1600	1.90	160	210	260	600/800	1.0
052 15 10	SRP 15	15	1800	1.90	200	250	300	600/800	1.0
052 20 10	SRP 20	20	1800	2.00	200	250	300	600/800	1.0

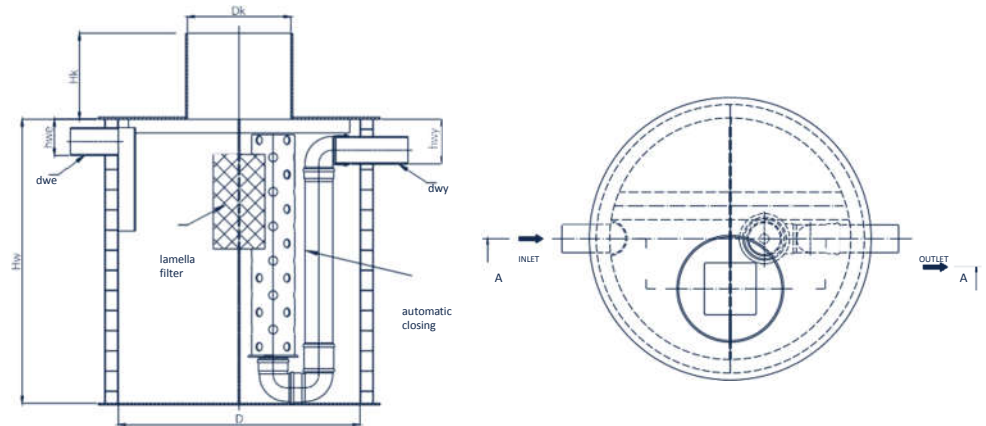
The above table contains standard sizes.  
Custom sizes / dimensions are also available.

**OIL/WATER SEPARATOR: VERTICAL, WITH A LAMELLA FILTER AND AUTOMATIC CLOSING (TYPE: SRP)**

**Material:**  
PEHD

**Color(s):**  
Black

**Documents:**  
Statement of approval of the product for use, as a custom-made product, in a civil structure



**SEPARATOR (TYPE: SRP) BACKFILL: 1.5 M**

CODE	TYPE	Q [l/s]	D [mm]	Hw [m]	dwe/dwy [mm]	hwe [mm]	hwy [mm]	Dk [mm]	Hk [m]
052 1 15	SRP 1	1	1000	1.10	110	160	210	600/800	1.5
052 2 15	SRP 2	2	1000	1.20	110	160	210	600/800	1.5
052 3 15	SRP 3	3	1200	1.30	110	160	210	600/800	1.5
052 5 15	SRP 5	5	1200	1.55	160	210	260	600/800	1.5
052 6 15	SRP 6	6	1400	1.65	160	210	260	600/800	1.5
052 8 15	SRP 8	8	1400	1.75	160	210	260	600/800	1.5
052 10 15	SRP 10	10	1600	1.90	160	210	260	600/800	1.5
052 15 15	SRP 15	15	1800	1.90	200	250	300	600/800	1.5
052 20 15	SRP 20	20	1800	2.00	200	250	300	600/800	1.5

The above table contains standard sizes.  
Custom sizes / dimensions are also available.

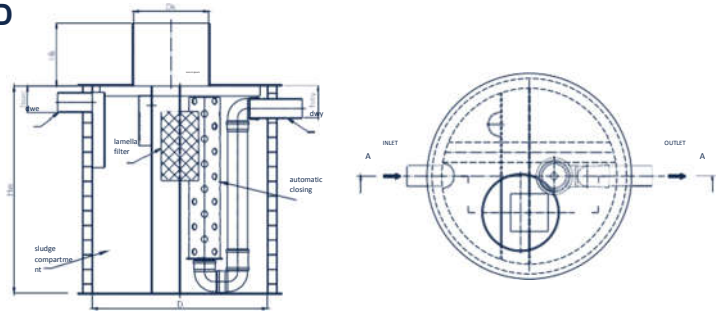
## OIL/WATER SEPARATOR: VERTICAL, WITH A SLUDGE COMPARTMENT, A LAMELLA FILTER AND AUTOMATIC CLOSING (TYPE: SRK)

**Material:**  
PEHD

**Colour(s):**  
Black

**Documents:**

Statement of approval of the product for use, as a custom-made product, in a civil structure



### SEPARATOR (TYPE: SRK) BACKFILL: 0.5 M

CODE	TYPE	Q [l/s]	D [mm]	Hw [m]	dwe/dwy [mm]	hwe [mm]	hwy [mm]	Dk [mm]	Hk [m]
053 1 05	SRK 1	1	1000	1.20	110	160	210	600/800	0.5
053 2 05	SRK 2	2	1200	1.30	110	160	210	600/800	0.5
053 3 05	SRK 3	3	1200	1.55	160	210	260	600/800	0.5
053 5 05	SRK 5	5	1400	1.65	160	210	260	600/800	0.5
053 6 05	SRK 6	6	1400	1.70	160	210	260	600/800	0.5
053 8 05	SRK 8	8	1600	1.90	160	210	260	600/800	0.5
053 10 05	SRK 10	10	1800	1.90	200	250	300	600/800	0.5
053 15 05	SRK 15	15	1800	2.00	200	250	300	600/800	0.5

### SEPARATOR (TYPE: SRK) BACKFILL: 1.0 M

CODE	TYPE	Q [l/s]	D [mm]	Hw [m]	dwe/dwy [mm]	hwe [mm]	hwy [mm]	Dk [mm]	Hk [m]
053 1 10	SRK 1	1	1000	1.20	110	160	210	600/800	1.0
053 2 10	SRK 2	2	1200	1.30	110	160	210	600/800	1.0
053 3 10	SRK 3	3	1200	1.55	160	210	260	600/800	1.0
053 5 10	SRK 5	5	1400	1.65	160	210	260	600/800	1.0
053 6 10	SRK 6	6	1400	1.70	160	210	260	600/800	1.0
053 8 10	SRK 8	8	1600	1.90	160	210	260	600/800	1.0
053 10 10	SRK 10	10	1800	1.90	200	250	300	600/800	1.0
053 15 10	SRK 15	15	1800	2.00	200	250	300	600/800	1.0

### SEPARATOR (TYPE: SRK) BACKFILL: 1.5 M

CODE	TYPE	Q [l/s]	D [mm]	Hw [m]	dwe/dwy [mm]	hwe [mm]	hwy [mm]	Dk [mm]	Hk [m]
053 1 15	SRK 1	1	1000	1.20	110	160	210	600/800	1.5
053 2 15	SRK 2	2	1200	1.30	110	160	210	600/800	1.5
053 3 15	SRK 3	3	1200	1.55	160	210	260	600/800	1.5
053 5 15	SRK 5	5	1400	1.65	160	210	260	600/800	1.5
053 6 15	SRK 6	6	1400	1.70	160	210	260	600/800	1.5
053 8 15	SRK 8	8	1600	1.90	160	210	260	600/800	1.5
053 10 15	SRK 10	10	1800	1.90	200	250	300	600/800	1.5
053 15 15	SRK 15	15	1800	2.00	200	250	300	600/800	1.5

The above table contains standard sizes.  
Custom sizes / dimensions are also available.

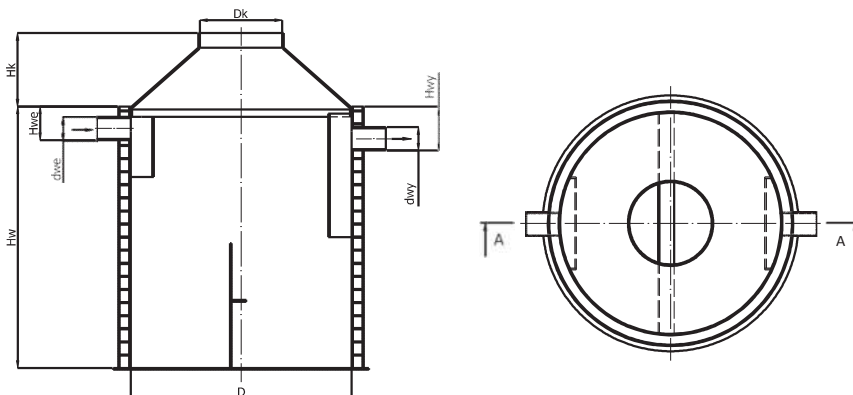
## GREASE

**Material:** PEHD

**Colour(s):**

**Documents:**

Statement of approval of the product for use, as a custom-made product, in a civil structure



### GREASE SEPARATOR, BACKFILL: 0.5 M

CODE	TYPE	Q [l/s]	D [mm]	Hw [m]	dwe/dwy [mm]	hwe [mm]	hwy [mm]	Dk [mm]	Hk [m]
050 005 05	ST 00	0.5	600	910	110	160	210	600	0.5
050 010 05	ST 01	1	800	1010	110	160	210	600	0.5
050 020 05	ST 02	2	1000	1280	110	160	210	600	0.5
050 030 05	ST 03	3	1000	1680	110	160	210	600	0.5
050 040 05	ST 04	4	1200	1680	160	210	260	600	0.5
050 050 05	ST 05	5	1400	1680	160	210	260	600	0.5
050 060 05	ST 06	6	1400	1780	160	210	260	600	0.5
050 070 05	ST 07	7	1600	1780	160	210	260	600	0.5
050 080 05	ST 08	8	1800	1580	160	210	260	600	0.5
050 090 05	ST 09	9	1800	1680	160	210	260	600	0.5
050 100 05	ST 10	10	2000	1520	200	250	300	600	0.5
050 120 05	ST 12	12	2000	1770	200	250	300	600	0.5
050 140 05	ST 14	14	2200	1720	200	250	300	600	0.5
050 150 05	ST 15	15	2400	1645	225	275	325	600	0.5
050 160 05	ST 16	16	2400	1745	225	275	325	600	0.5
050 180 05	ST 18	18	2500	1795	225	275	325	600	0.5
050 200 05	ST 20	20	2600	1820	250	300	350	600	0.5
050 220 05	ST 22	22	2800	1820	250	300	350	600	0.5
050 240 05	ST 24	24	2800	1900	250	300	350	600	0.5
050 250 05	ST 25	25	3000	1820	250	300	350	600	0.5

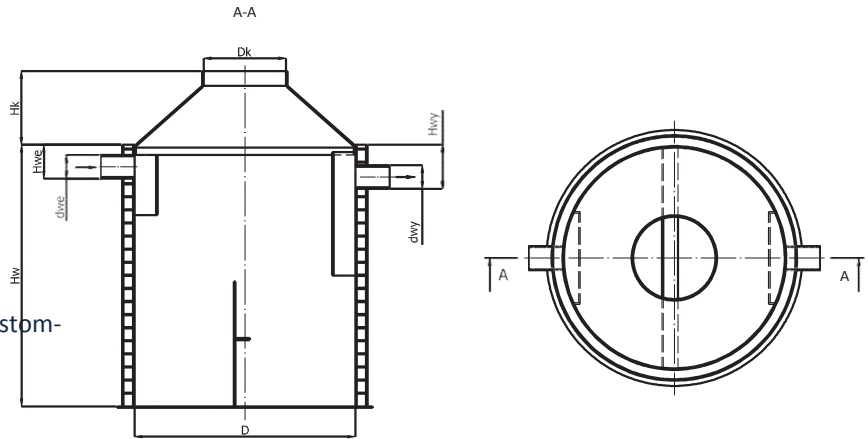
The above table contains standard sizes.  
Custom sizes / dimensions are also available.

**GREASE SEPARATOR**

**Material:** PEHD  
**Colour(s):** Black

**Documents:**

Statement of approval of the product for use, as a custom-made product, in a civil structure


**GREASE SEPARATOR, BACKFILL: 1.0 M**

CODE	TYPE	Q [l/s]	D [mm]	Hw [m]	dwe/dwy [mm]	hwe [mm]	hwy [mm]	Dk [mm]	Hk [m]
050 005 05	ST 00	0.5	600	910	110	160	210	800	1.0
050 010 05	ST 01	1	800	1010	110	160	210	800	1.0
050 020 05	ST 02	2	1000	1280	110	160	210	800	1.0
050 030 05	ST 03	3	1000	1680	110	160	210	800	1.0
050 040 05	ST 04	4	1200	1680	160	210	260	800	1.0
050 050 05	ST 05	5	1400	1680	160	210	260	800	1.0
050 060 05	ST 06	6	1400	1780	160	210	260	800	1.0
050 070 05	ST 07	7	1600	1780	160	210	260	800	1.0
050 080 05	ST 08	8	1800	1580	160	210	260	800	1.0
050 090 05	ST 09	9	1800	1680	160	210	260	800	1.0
050 100 05	ST 10	10	2000	1520	200	250	300	800	1.0
050 120 05	ST 12	12	2000	1770	200	250	300	800	1.0
050 140 05	ST 14	14	2200	1720	200	250	300	800	1.0
050 150 05	ST 15	15	2400	1645	225	275	325	800	1.0
050 160 05	ST 16	16	2400	1745	225	275	325	800	1.0
050 180 05	ST 18	18	2500	1795	225	275	325	800	1.0
050 200 05	ST 20	20	2600	1820	250	300	350	800	1.0
050 220 05	ST 22	22	2800	1820	250	300	350	800	1.0
050 240 05	ST 24	24	2800	1900	250	300	350	800	1.0
050 250 05	ST 25	25	3000	1820	250	300	350	800	1.0

The above table contains standard sizes.  
 Custom sizes / dimensions are also available.

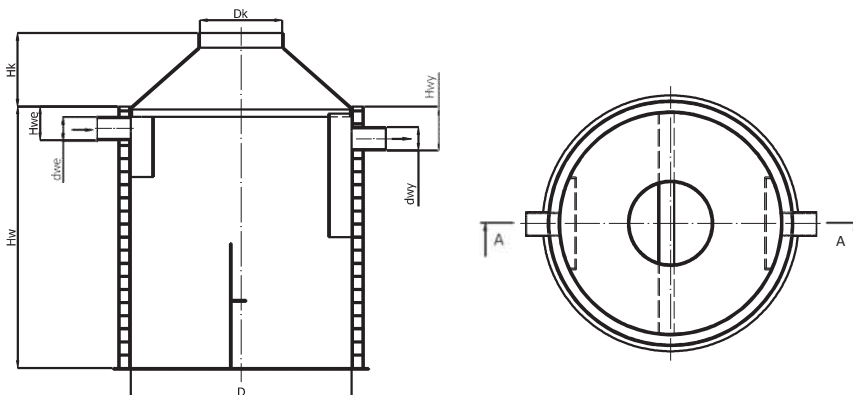
## GREASE

**Material:** PEHD

**Colour(s):**

**Documents:**

Statement of approval of the product for use, as a custom-made product, in a civil structure



## GREASE SEPARATOR, BACKFILL: 1.5 M

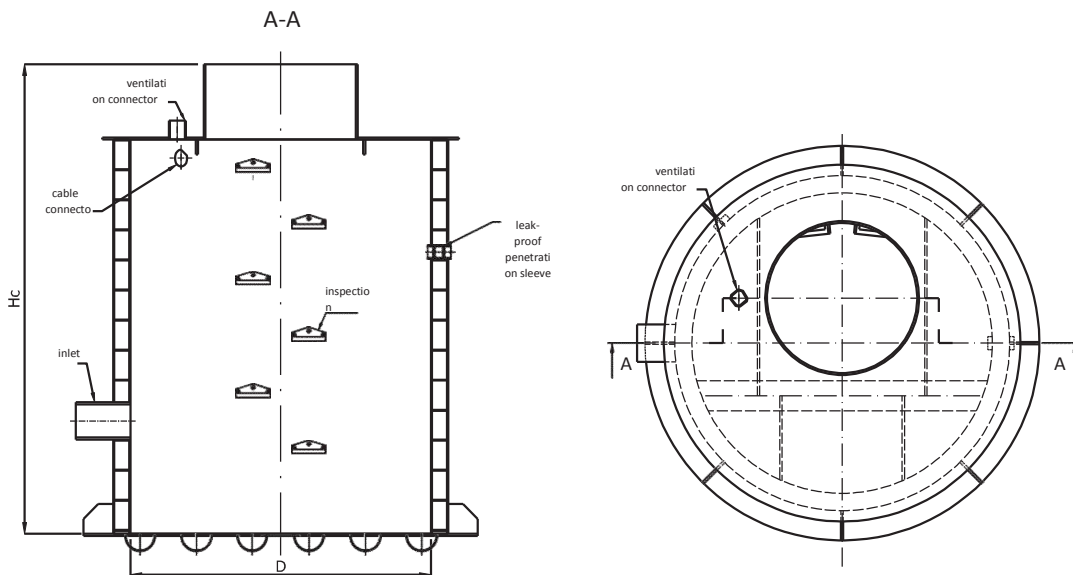
CODE	TYPE	Q [l/s]	D [mm]	Hw [m]	dwe/dwy [mm]	hwe [mm]	hwy [mm]	Dk [mm]	Hk [m]
050 005 05	ST 00	0.5	600	910	110	160	210	800	1.5
050 010 05	ST 01	1	800	1010	110	160	210	800	1.5
050 020 05	ST 02	2	1000	1280	110	160	210	800	1.5
050 030 05	ST 03	3	1000	1680	110	160	210	800	1.5
050 040 05	ST 04	4	1200	1680	160	210	260	800	1.5
050 050 05	ST 05	5	1400	1680	160	210	260	800	1.5
050 060 05	ST 06	6	1400	1780	160	210	260	800	1.5
050 070 05	ST 07	7	1600	1780	160	210	260	800	1.5
050 080 05	ST 08	8	1800	1580	160	210	260	800	1.5
050 090 05	ST 09	9	1800	1680	160	210	260	800	1.5
050 100 05	ST 10	10	2000	1520	200	250	300	800	1.5
050 120 05	ST 12	12	2000	1770	200	250	300	800	1.5
050 140 05	ST 14	14	2200	1720	200	250	300	800	1.5
050 150 05	ST 15	15	2400	1645	225	275	325	800	1.5
050 160 05	ST 16	16	2400	1745	225	275	325	800	1.5
050 180 05	ST 18	18	2500	1795	225	275	325	800	1.5
050 200 05	ST 20	20	2600	1820	250	300	350	800	1.5
050 220 05	ST 22	22	2800	1820	250	300	350	800	1.5
050 240 05	ST 24	24	2800	1900	250	300	350	800	1.5
050 250 05	ST 25	25	3000	1820	250	300	350	800	1.5

The above table contains standard sizes.  
Custom sizes / dimensions are also available.

**PUMPING STATION**

**Material:** PEHD  
**Colour(s):** Black

**Documents:**  
 Statement of approval of the product for use, as a custom-made product, in a civil structure



**PUMPING STATION 2.5**

total height  $H_c=2.5$  m

CODE	D [mm]
042 0800 25	800
042 1000 25	1000
042 1200 25	1200
042 1500 25	1500
042 2000 25	2000
042 2500 25	2500
042 3000 25	3000

**PUMPING STATION 4.0**

total height  $H_c=4.0$  m

CODE	D [mm]
042 0800 40	800
042 1000 40	1000
042 1200 40	1200
042 1500 40	1500
042 2000 40	2000
042 2500 40	2500
042 3000 40	3000



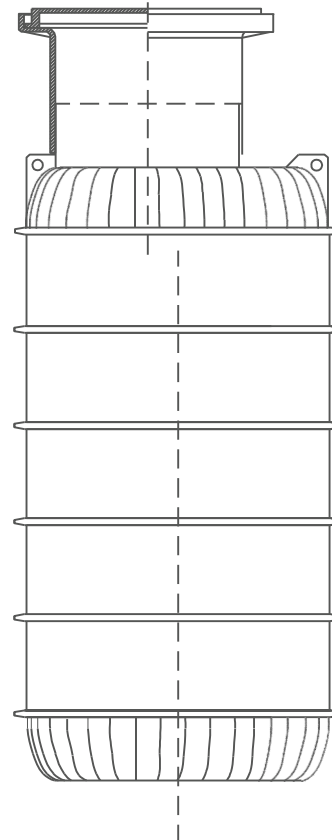
## ROTO PUMPING STATION

**Material:** PEHD  
**Colour(s):** Black

**Documents:**  
Type approval certificate

## ROTO PUMPING STATION —

CODE	D [mm]	H [m]
420 2 800 2200	800	2.2
420 2 800 2800	800	2.8
420 2 1000 2200	1000	2.2
420 2 1000 2800	1000	2.8

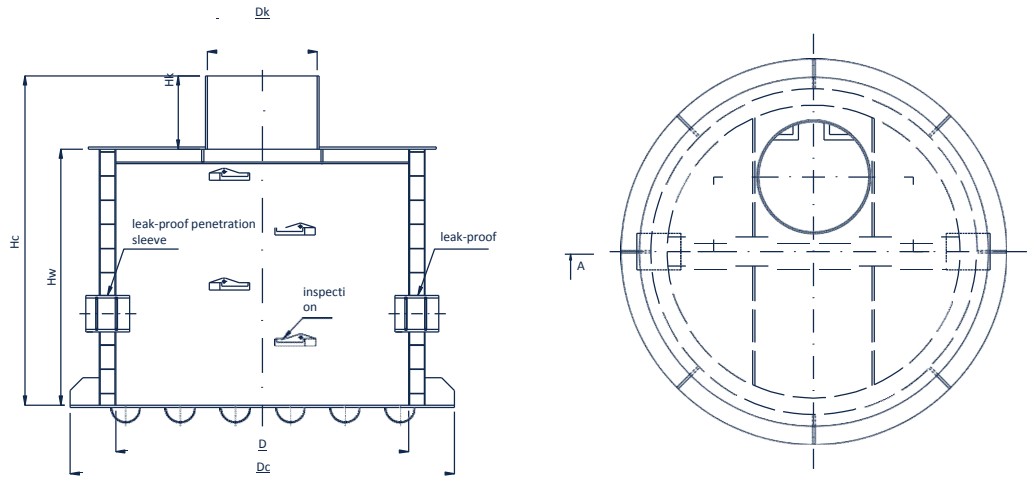


**METER CHAMBER WITHOUT A BALLASTING COMPARTMENT**

**Material:**  
PEHD

**Colour(s):**  
Black

**Documents**  
Statement of approval of the product for use, as a custom-made product, in a civil structure



**METER CHAMBER WITHOUT A BALLASTING COMPARTMENT**

total height  $H_c=1.8$  m

CODE	D [mm]
040 1 0800 1800	800
040 1 0100 1800	1000
040 1 1200 1800	1200
040 1 1400 1800	1400
040 1 1500 1800	1500
040 1 1600 1800	1600
040 1 1800 1800	1800
040 1 2000 1800	2000
040 1 2200 1800	2200
040 1 2400 1800	2400
040 1 2600 1800	2600
040 1 2800 1800	2800
040 1 3000 1800	3000

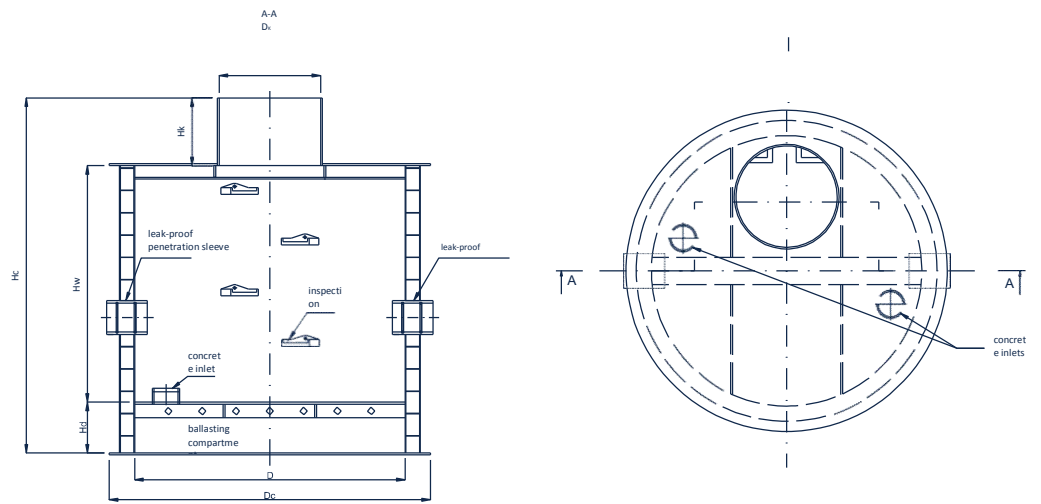
The above table contains standard sizes.  
Custom sizes / dimensions are also available.

**METER CHAMBER WITH A BALLASTING COMPARTMENT**

**Material:**  
PEHD

**Colour(s):**  
Black

**Documents**  
Statement of approval of the product for use, as a custom-made product, in a civil structure



**METER CHAMBER WITH A BALLASTING COMPARTMENT**

total height Hc=2.1 m

CODE	D [mm]
040 2 1200 2100	1200
040 2 1400 2100	1400
040 2 1500 2100	1500
040 2 1600 2100	1600
040 2 1800 2100	1800
040 2 2000 2100	2000
040 2 2200 2100	2200
040 2 2400 2100	2400
040 2 2600 2100	2600
040 2 2800 2100	2800
040 2 3000 2100	3000

The above table contains standard sizes.  
Custom sizes / dimensions are also available.

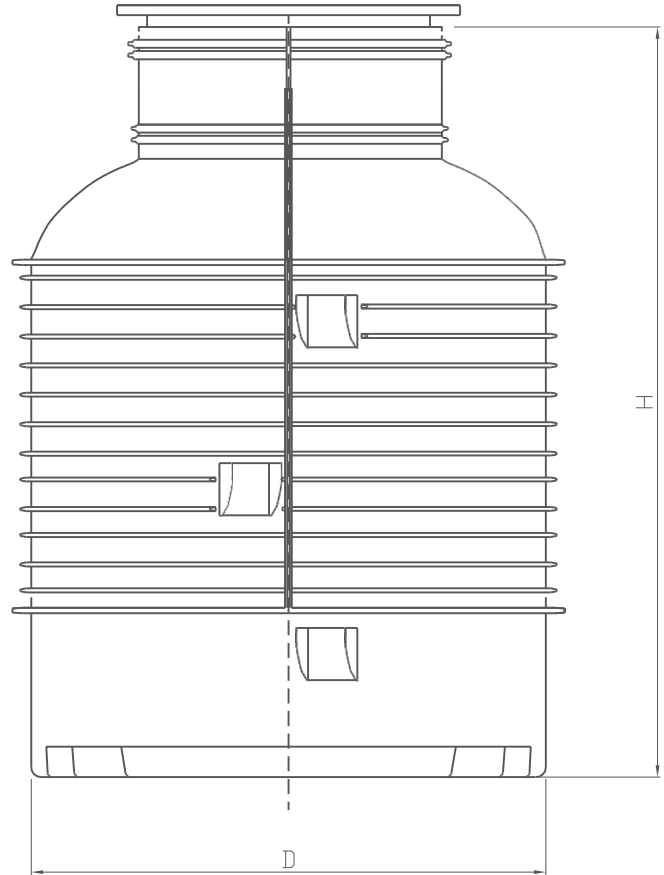
**ROTO METER CHAMBER**

**Material:** PEHD  
**Colour(s):** Black

**Documents**  
Type approval certificate

**ROTO METER CHAMBER**

CODE	D [mm]	H [m]
420 1 1000 1500	1000	1.48
420 1 1000 1800	1000	1.86
420 1 1200 1300	1200	1.33
420 1 1200 1550	1200	1.55
420 1 1200 1800	1200	1.80



## WASTEWATER TREATMENT SYSTEM FOR HOUSEHOLDS

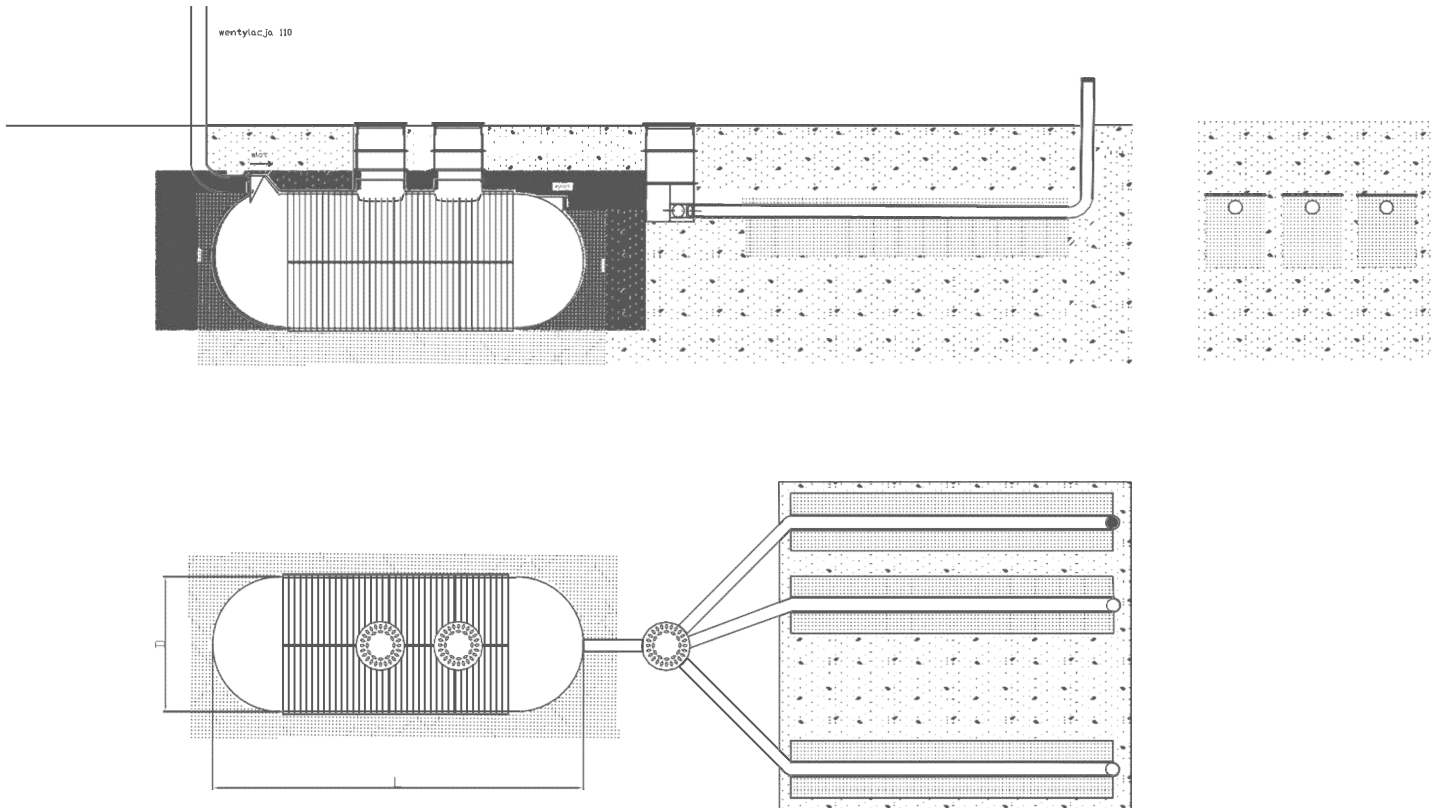
**Material:** PEHD  
**Colour(s):** Black

### Documents

Product Performance Assessment  
 Report Infiltration System Certificate

## WASTEWATER TREATMENT SYSTEM FOR HOUSEHOLDS

CODE	V [m <sup>3</sup> ]	D [m]	L [m]
420 4 1800	1.8	1200	2.0
420 4 2000	2.0	1200	2.3
420 4 3000	3.0	1200	3.3





S plastic tanks are made of PEHD structured pipes and boards connected by means of welding. They come with leak-proof inspection ports and connectors.

## S PLASTIC TANKS CAN BE USED AS

- storage tanks for rainwater, wastewater, slurry, fire-fighting water,
- storage tanks for potable water,
- septic tanks and
- process tanks.

Standard S Plastic tanks are available with diameters ranging from Ø 1000 do Ø 3000 mm (outer diameter) and ring stiffnesses ranging from SN2 to SN8 (kN/m<sup>2</sup>). Tanks with larger diameters / stiffnesses are available to custom specifications.

Each tank is designed to meet the customer's requirements in terms of volume or capacity. Large volumes can be achieved by connecting a number of tanks horizontally or vertically.



V [m <sup>3</sup> ]	Dn												
	1000 Lc [m]	1200 Lc [m]	1400 Lc [m]	1500 Lc [m]	1600 Lc [m]	1800 Lc [m]	2000 Lc [m]	2200 Lc [m]	2400 Lc [m]	2500 Lc [m]	2600 Lc [m]	2800 Lc [m]	3000 Lc [m]
5.00	6.60	4.70	3.60	3.20	2.90	2.30	2.00	1.80	1.60	1.50	1.40	1.30	1.20
8.00	9.80	6.90	5.20	4.60	4.10	3.30	2.80	2.50	2.10	2.00	1.90	1.70	1.60
10.00	13.00	9.10	6.90	6.00	5.30	4.30	3.60	3.10	2.70	2.50	2.40	2.10	1.90
12.00	15.50	10.90	8.20	7.20	6.30	5.10	4.20	3.60	3.10	2.90	2.80	2.50	2.20
15.00	19.40	13.50	10.10	8.90	7.80	6.30	5.20	4.40	3.80	3.50	3.30	2.90	2.60
20.00	25.70	18.00	13.40	11.70	10.30	8.20	6.70	5.80	4.90	4.60	4.30	3.80	3.30
25.00	32.10	22.40	16.60	14.50	12.80	10.20	8.30	7.10	6.00	5.60	5.20	4.60	4.00
30.00	38.50	26.80	19.90	17.40	15.30	12.20	9.90	8.40	7.10	6.60	6.20	5.40	4.80
35.00	44.80	31.20	23.10	20.20	17.80	14.10	11.50	9.70	8.20	7.60	7.10	6.20	5.50
40.00	51.20	35.60	26.40	23.00	20.30	16.10	13.10	11.00	9.30	8.60	8.00	7.00	6.20
45.00	57.60	40.10	29.60	25.80	22.80	18.10	14.70	12.30	10.40	9.70	9.00	7.80	6.90
50.00	63.90	44.50	32.90	28.70	25.20	20.00	16.30	13.60	11.50	10.70	9.90	8.60	7.60
60.00	76.70	53.30	39.40	34.30	30.20	24.00	19.50	16.30	13.80	12.70	11.80	10.30	9.00
70.00	89.40	62.20	45.80	40.00	35.20	27.90	22.70	18.90	16.00	14.80	13.70	11.90	10.40
80.00	102.10	71.00	52.30	45.60	40.20	31.80	25.80	21.50	18.20	16.80	15.60	13.50	11.80
90.00	114.90	79.80	58.80	51.30	45.10	35.70	29.00	24.20	20.40	18.80	17.50	15.10	13.20
100.00	127.60	88.70	65.30	57.00	50.10	39.70	32.20	26.80	22.60	20.90	19.30	16.80	14.70





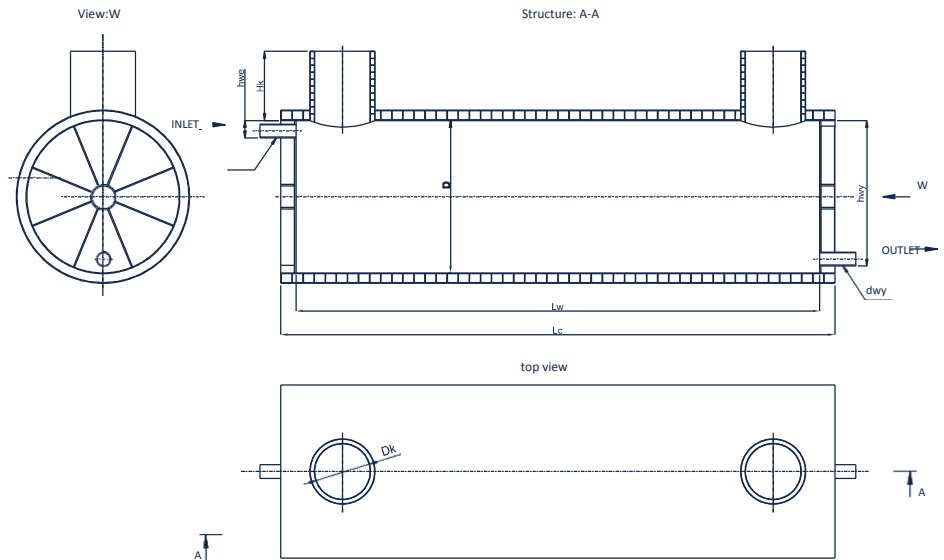
## UNDERGROUND TANKS HORIZONTAL

**Material:**  
PEHD

**Colour(s):**  
Black

### Documents

IBDiM technical approval  
National Declaration of Performance  
Hygienic approval (issued by the National  
Institute of Hygiene (PZH)) for tanks  
for potable water  
Technical  
description Design  
description



## HORIZONTAL UNDERGROUND TANK BACKFILL: 1.0

CODE	TYPE	V [m <sup>3</sup> ]	D [mm]	L [m]
044 005 05	Z5	5	1000	6.6
044 008 05	Z8	8	1200	7.3
044 010 05	Z10	10	1400	6.9
044 012 05	Z12	12	1500	7.2
044 015 05	Z15	15	1600	7.8
044 020 05	Z20	20	1600	10.3
044 025 05	Z25	25	1600	12.8
044 030 05	Z30	30	1800	12.2
044 035 05	Z35	35	2000	11.5
044 040 05	Z40	40	2000	13.1
044 045 05	Z45	45	2200	12.3
044 050 05	Z50	50	2400	11.5
044 060 05	Z60	60	2500	12.7
044 070 05	Z70	70	2500	14.8
044 080 05	Z80	80	2600	15.6
044 090 05	Z90	90	2800	15.1
044 100 05	Z100	100	3000	14.7

CODE	TYPE	V [m <sup>3</sup> ]	D [mm]	L [m]
044 005 10	Z5	5	1000	6.6
044 008 10	Z8	8	1200	7.3
044 010 10	Z10	10	1400	6.9
044 012 10	Z12	12	1500	7.2
044 015 10	Z15	15	1600	7.8
044 020 10	Z20	20	1600	10.3
044 025 10	Z25	25	1600	12.8
044 030 10	Z30	30	1800	12.2
044 035 10	Z35	35	2000	11.5
044 040 10	Z40	40	2000	13.1
044 045 10	Z45	45	2200	12.3
044 050 10	Z50	50	2400	11.5
044 060 10	Z60	60	2500	12.7
044 070 10	Z70	70	2500	14.8
044 080 10	Z80	80	2600	15.6
044 090 10	Z90	90	2800	15.1
044 100 10	Z100	100	3000	14.7

The above table contains standard sizes.  
Custom sizes / dimensions are also available.

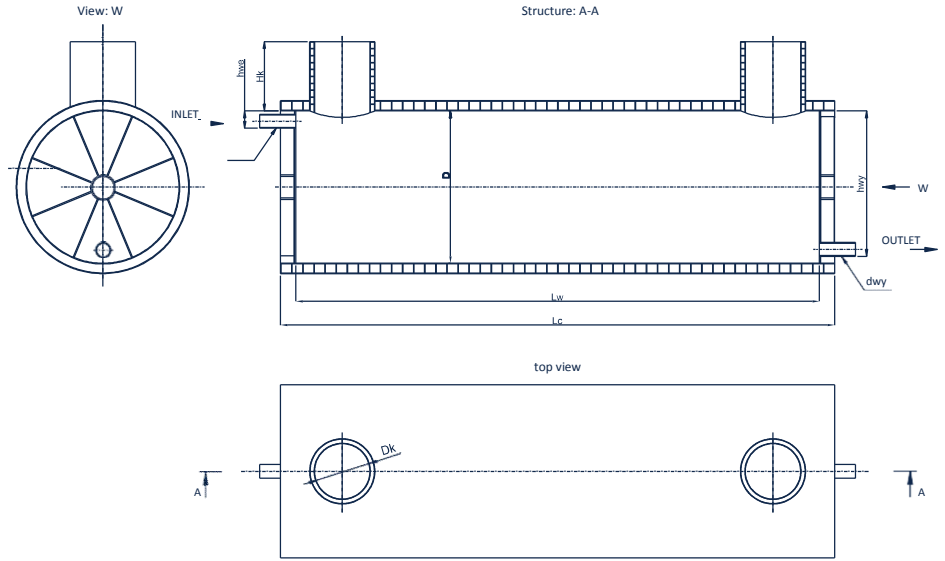
**HORIZONTAL UNDERGROUND TANKS**

**Material:**  
PEHD

**Colour(s):**  
Black

**Documents**

IBDiM technical approval National  
Declaration of Performance  
National Declaration of Performance  
Hygienic approval (issued by the  
National Institute of Hygiene (PZH))  
for tanks potable water  
Technical description



**HORIZONTAL UNDERGROUND TANK BACKFILL: 1.5**

CODE	TYPE	V [m <sup>3</sup> ]	D [mm]	L [m]
044 005 15	Z5	5	1000	6.6
044 008 15	Z8	8	1200	7.3
044 010 15	Z10	10	1400	6.9
044 012 15	Z12	12	1500	7.2
044 015 15	Z15	15	1600	7.8
044 020 15	Z20	20	1600	10.3
044 025 15	Z25	25	1600	12.8
044 030 15	Z30	30	1800	12.2
044 035 15	Z35	35	2000	11.5
044 040 15	Z40	40	2000	13.1
044 045 15	Z45	45	2200	12.3
044 050 15	Z50	50	2400	11.5
044 060 15	Z60	60	2500	12.7
044 070 15	Z70	70	2500	14.8
044 080 15	Z80	80	2600	15.6
044 090 15	Z90	90	2800	15.1
044 100 15	Z100	100	3000	14.7

The above table contains standard sizes.  
Custom sizes / dimensions are also available.

## ROTO TANK

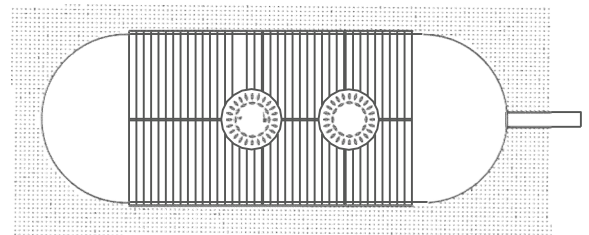
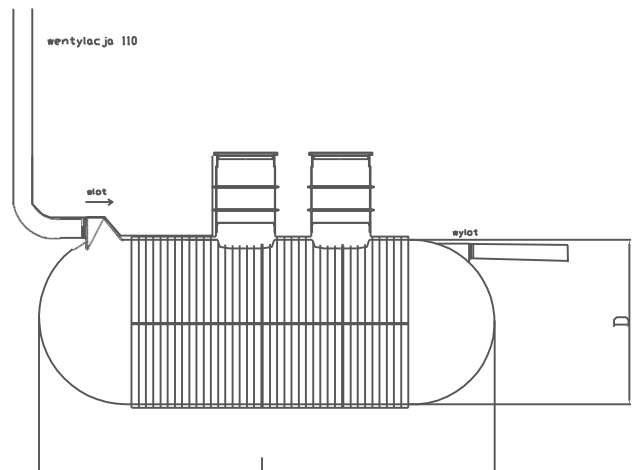
**Material:** PEHD  
**Colour(s):** Black

**Applications:**  
 storage tanks, retention tanks, septic tanks

**Documents:**  
 Product Performance Assessment Report

## HORIZONTAL UNDERGROUND ROTO TANK

CODE	V [m <sup>3</sup> ]	D [m]	L [m]
420 3 2000	2.0	1200	2.3
420 3 3000	3.0	1200	3.3
420 3 6900	6.9	1200	6.3



**PLASTIC SHEETS**
**PEHD SHEETS**

**Material:**  
PEHD

**Colour(s):**  
Black

Size [mm]	Thickness [mm]
3000X1500	3 - 15
3000X1500	20 - 30
1000X1000	40 - 160

**STANDARD SHEETS (NO APPROVAL FROM THE PZH (INSTITUTE OF HYGIENE))**

CODE	Size [mm]
0301 3 30001500	3000X1500X3
0301 4 30001500	3000X1500X4
0301 5 30001500	3000X1500X5
0301 6 30001500	3000X1500X6
0301 8 30001500	3000X1500X8
0301 10 30001500	3000X1500X10
0301 12 30001500	3000X1500X12
0301 15 30001500	3000X1500X15
0301 20 30001500	3000X1500X20
0301 25 30001500	3000X1500X25
0301 30 30001500	3000X1500X30
0311 40 10001000	1000X1000X40
0311 50 10001000	1000X1000X50
0311 60 10001000	1000X1000X60
0311 80 10001000	1000X1000X80
0311 100 10001000	1000X1000X100
0311 120 10001000	1000X1000X120
0311 140 10001000	1000X1000X140
0311 160 10001000	1000X1000X160

**STANDARD SHEETS (WITH APPROVAL FROM THE PZH (INSTITUTE OF HYGIENE))**

CODE	Size [mm]
0302 3 30001500	3000X1500X3
0302 4 30001500	3000X1500X4
0302 5 30001500	3000X1500X5
0302 6 30001500	3000X1500X6
0302 8 30001500	3000X1500X8
0302 10 30001500	3000X1500X10
0302 12 30001500	3000X1500X12
0302 15 30001500	3000X1500X15
0302 20 30001500	3000X1500X20
0302 25 30001500	3000X1500X25
0302 30 30001500	3000X1500X30
0312 40 10001000	1000X1000X40
0312 50 10001000	1000X1000X50
0312 60 10001000	1000X1000X60
0312 80 10001000	1000X1000X80
0312 100 10001000	1000X1000X100
0312 120 10001000	1000X1000X120
0312 140 10001000	1000X1000X140
0312 160 10001000	1000X1000X160

Boards are also available in non-standard colours and dimensions, according to custom specifications.

## WELDING ROD

**Material:**  
PEHD

### PEHD ROD

CODE	material	Diameter [mm]	colour	[kg]
034 4100	PE	4	BLACK	4
034 4 050	PE	4	BLUE	4
034 4000	PE	4	NATURAL	4
034 3100	PE	3	BLACK	4

S Plastic welding rod is wound into rolls, of approx. 4 kg each. Welding rod with a thickness of 3 mm or 5 mm is also available on a custom-order basis. Our welding rod is also available in other colours, on a custom-order basis. Ask us a for quotation.

## WELDING ROD

**Material:**  
PP

### PP ROD

CODE	material	Diameter [mm]	colour	[kg]
035 4 100	PP	4	BLACK	4
035 4 030	PP	4	GREY	4
035 4 080	PP	4	ORANGE	4

S Plastic welding rod is wound into rolls, of approx. 4 kg each. Welding rod with a thickness of 3 mm or 5 mm is also available on a custom-order basis. Our welding rod is also available in other colours, on a custom-order basis. Ask us a for quotation.