

PN10 SDR17 LONG FLANGED BUSH

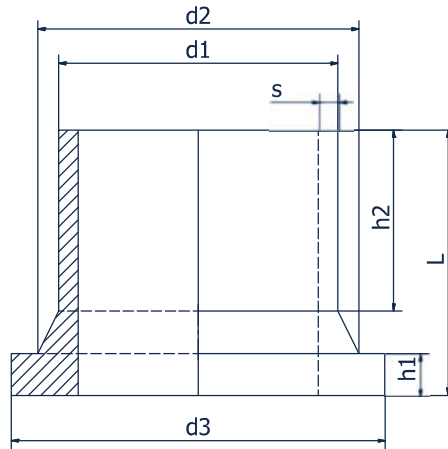
Material: PE100

Colour(s): Black

Operating pressure:
10 Bar (SDR17 PN10)

Standards:
PN-EN 12201-3+A1:2013
Fittings approved by PZH (Polish Institute of Hygiene)

Documents:
National Declaration of
Performance



LONG FLANGED BUSH

CODE	d1 [mm]	DN	d3 [mm]	L [mm]	h1 [mm]	h2 [mm]	s [mm]
011 17 90 200	90	80	138	139	17	100	5.4
011 17 110 200	110	100	158	137	18	90	6.6
011 17 140 200	140	125	188	180	25	120	8.3
011 17 160 200	160	150	212	205	25	120	9.5
011 17 180 200	180	150	212	200	30	130	10.7
011 17 225 200	225	200	268	190	35	130	13.4
011 17 250 200	250	250	320	190	35	125	14.8
011 17 315 200	315	300	370	225	35	150	18.7

Bushes other than included in the tables are available upon request.