

**PN16 SDR11 LONG
FLANGED BUSH**

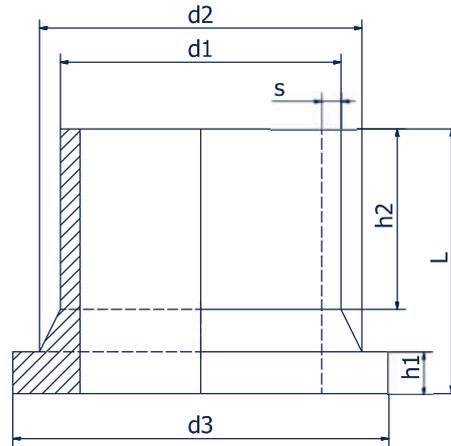
Material: PE100

Colour(s): Black

Operating pressure:
16 Bar (SDR11 PN16)

Standards:
PN-EN 12201-3+A1:2013
Fittings approved by PZH (Polish Institute of Hygiene)

Documents:
National Declaration of
Performance



LONG FLANGED BUSH

CODE	d1 [mm]	DN	d3 [mm]	L [mm]	h1 [mm]	h2 [mm]	s [mm]
011 11 90 200	90	80	138	139	17	100	8.2
011 11 110 200	110	100	158	137	18	90	10
011 11 140 200	140	125	188	180	25	120	11.4
011 11 160 200	160	150	212	205	25	120	14.6
011 11 180 200	180	150	212	200	30	130	16.4
011 11 225 200	225	200	268	190	35	130	20.5
011 11250200	250	250	320	190	35	125	22.7
011 11315200	315	300	370	225	35	150	28.6

Bushes other than included in the tables are available upon request.