

### PN10 SDR17 SHORT FLANGED BUSH

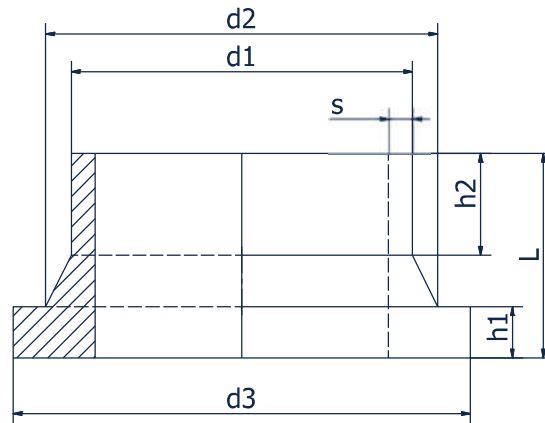
**Material:** PE100

**Colour(s):** Black

**Operating pressure:**  
10 Bar (SDR17 PN10)

**Standards:**  
PN-EN 12201-3+A1:2013  
Fittings approved by PZH (Polish Institute of Hygiene)

**Documents:**  
National Declaration of  
Performance



### SHORT FLANGED BUSH

CODE	d1 [mm]	DN	SDR	d2 [mm]	d3 [mm]	L [mm]	h1 [mm]	h2 [mm]	s [mm]
010 17 20 120	20	16	17	27	45	50	10	16	2.0
010 17 25 120	25	20	17	33	58	50	10	18	2.0
010 17 32 120	32	25	17	40	68	50	10	18	2.0
010 17 40 120	40	32	17	50	78	50	11	20	2.4
010 17 50 120	50	40	17	61	88	50	12	20	3.0
010 17 63 120	63	50	17	75	102	80	14	38	3.8
010 17 75 120	75	65	17	89	122	100	16	56	4.5
010 17 125 120	125	100	17	132	158	85	25	32	7.4
010 17 140 120	140	125	17	155	188	85	25	40	8.3
010 17 180 120	180	150	17	180	212	100	30	80	10.7
010 17 200 120	200	200	17	232	268	120	32	64	11.9
010 17 280 120	280	280	17	291	320	110	35	38	16.6
010 17 355 120	355	355	17	373	430	100	40	32	21.1
010 17 400 120	400	400	17	427	482	120	46	42	23.7
010 17 450 120	450	500	17	514	585	120	46	27	26.7
010 17 500 120	500	500	17	530	585	120	46	37	29.7
010 17 560 120	560	500	17	615	685	130	50	20	33.2
010 17 630 120	630	600	17	642	685	130	50	40	37.4
010 17 710 120	710	700	17	737	800	130	50	40	42.1
010 17 800 120	800	800	17	840	905	130	52	40	47.4
010 17 900 120	900	900	17	944	1005	140	55	40	53.0

Bushes other than included in the tables are available upon request.