

PN16 SDR11 SHORT FLANGED BUSH

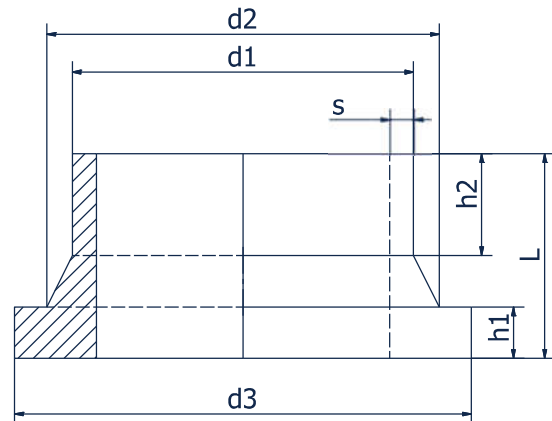
Material: PE100

Colour(s): Black

Operating pressure:
16 Bar (SDR11 PN16)

Standards:
PN-EN 12201-3+A1:2013
Fittings approved by PZH (Polish Institute of Hygiene)

Documents:
National Declaration of
Performance



SHORT FLANGED BUSH

CODE	d1 [mm]	DN	SDR	d2 [mm]	d3 [mm]	L [mm]	h1 [mm]	h2 [mm]	s [mm]
010 11 20 120	20	16	11	27	45	50	10	16	2.0
010 11 25 120	25	20	11	33	58	50	10	18	2.3
010 11 32 120	32	25	11	40	68	50	10	18	3.0
010 11 40 120	40	32	11	50	78	50	11	20	3.7
010 11 50 120	50	40	11	61	88	50	12	20	4.6
010 11 63 120	63	50	11	75	102	80	14	38	5.8
010 11 75 120	75	65	11	89	122	100	16	56	6.8
010 11 125 120	125	100	11	132	158	85	25	32	11.4
010 11 140 120	140	125	11	155	188	85	25	40	12.7
010 11 180 120	180	150	11	180	212	100	30	80	16.4
010 11 200 120	200	200	11	232	268	120	32	64	18.2
010 11 280 120	280	280	11	291	320	110	35	38	25.4
010 11 355 120	355	355	11	373	430	100	40	32	32.2
010 11 400 120	400	400	11	427	482	120	46	42	36.3
010 11 450 120	450	500	11	514	585	120	60	27	40.9
010 11 500 120	500	500	11	530	585	120	60	37	45.4
010 11 560 120	560	500	11	615	685	130	60	20	50.8
010 11 630 120	630	600	11	642	685	130	60	40	57.2
010 11 710 120	710	700	11	737	800	130	85	40	64.5
010 11 800 120	800	800	11	840	905	130	95	40	72.6
010 11 900 120	900	900	11	944	1005	140	100	40	81.7

Bushes other than included in the tables are available upon request.