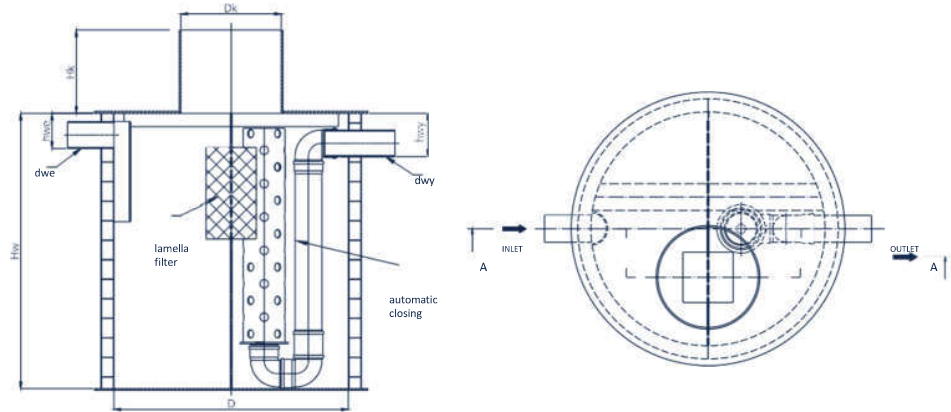


OIL/WATER SEPARATOR: VERTICAL, WITH A LAMELLA FILTER AND AUTOMATIC CLOSING (TYPE: SRP)

Material:
PEHD

Color(s):
Black

Documents:
Statement of approval of the product for use, as a custom-made product, in a civil structure



SEPARATOR (TYPE: SRP) BACKFILL: 0.5 M

| CODE | TYPE | Q [l/s] | D [mm] | Hw [m] | dwe/dwy [mm] | hwe [mm] | hwy [mm] | Dk [mm] | Hk [m] |
|-----------|--------|---------|--------|--------|--------------|----------|----------|---------|--------|
| 052 1 05 | SRP 1 | 1 | 1000 | 1.10 | 110 | 160 | 210 | 600/800 | 0.5 |
| 052 2 05 | SRP 2 | 2 | 1000 | 1.20 | 110 | 160 | 210 | 600/800 | 0.5 |
| 052 3 05 | SRP 3 | 3 | 1200 | 1.30 | 110 | 160 | 210 | 600/800 | 0.5 |
| 052 5 05 | SRP 5 | 5 | 1200 | 1.55 | 160 | 210 | 260 | 600/800 | 0.5 |
| 052 6 05 | SRP 6 | 6 | 1400 | 1.65 | 160 | 210 | 260 | 600/800 | 0.5 |
| 052 8 05 | SRP 8 | 8 | 1400 | 1.75 | 160 | 210 | 260 | 600/800 | 0.5 |
| 052 10 05 | SRP 10 | 10 | 1600 | 1.90 | 160 | 210 | 260 | 600/800 | 0.5 |
| 052 15 05 | SRP 15 | 15 | 1800 | 1.90 | 200 | 250 | 300 | 600/800 | 0.5 |
| 052 20 05 | SRP 20 | 20 | 1800 | 2.00 | 200 | 250 | 300 | 600/800 | 0.5 |

SEPARATOR (TYPE: SRP) BACKFILL: 1.0 M

| CODE | TYPE | Q [l/s] | D [mm] | Hw [m] | dwe/dwy [mm] | hwe [mm] | hwy [mm] | Dk [mm] | Hk [m] |
|-----------|--------|---------|--------|--------|--------------|----------|----------|---------|--------|
| 052 1 10 | SRP 1 | 1 | 1000 | 1.10 | 110 | 160 | 210 | 600/800 | 1.0 |
| 052 2 10 | SRP 2 | 2 | 1000 | 1.20 | 110 | 160 | 210 | 600/800 | 1.0 |
| 052 3 10 | SRP 3 | 3 | 1200 | 1.30 | 110 | 160 | 210 | 600/800 | 1.0 |
| 052 5 10 | SRP5 | 5 | 1200 | 1.55 | 160 | 210 | 260 | 600/800 | 1.0 |
| 052 6 10 | SRP6 | 6 | 1400 | 1.65 | 160 | 210 | 260 | 600/800 | 1.0 |
| 052 8 10 | SRP 8 | 8 | 1400 | 1.75 | 160 | 210 | 260 | 600/800 | 1.0 |
| 052 10 10 | SRP 10 | 10 | 1600 | 1.90 | 160 | 210 | 260 | 600/800 | 1.0 |
| 052 15 10 | SRP 15 | 15 | 1800 | 1.90 | 200 | 250 | 300 | 600/800 | 1.0 |
| 052 20 10 | SRP 20 | 20 | 1800 | 2.00 | 200 | 250 | 300 | 600/800 | 1.0 |

The above table contains standard sizes.
Custom sizes / dimensions are also available.