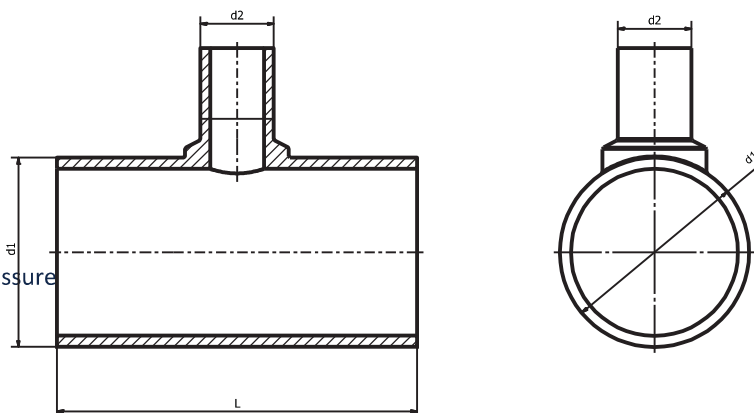


**PN10 SDR17 TAPPING TEE (90 DEGREES)**

**Material:** PE100  
**Colour(s):** Black, with a blue stripe  
**Operating pressure:** 8 Bar (SDR17 PN8)  
 - A pressure reduction coefficient of 0.8 was applied.

Standard tees can be reinforced to match the nominal pressure rating of the pipe. Ask us for a quotation.

**Documents:**  
 National Declaration of Performance  
**Standards:** PN-EN 12201-3+A1:2013  
 Fittings approved by PZH (Polish Institute of Hygiene)



**TAPPING TEE**

CODE	d1 [mm]	d2 [mm]	L [mm]
008 17 28090	280	90	880
008 17 280110	280	110	880
008 17 280125	280	125	880
008 17 280140	280	140	880
008 17 280160	280	160	880
008 17 280180	280	180	880
008 17 31532	315	32	950
008 17 31540	315	40	950
008 17 31550	315	50	950
008 17 31563	315	63	950
008 17 31575	315	75	950
008 17 31590	315	90	950
008 17 315110	315	110	950
008 17 315125	315	125	950
008 17 315140	315	140	950
008 17 315160	315	160	950
008 17 315180	315	180	950
008 17 315200	315	200	950
008 17 35532	355	32	1050
008 17 35540	355	40	1050
008 17 35550	355	50	1050
008 17 35563	355	63	1050
008 17 35575	355	75	1050
008 17 35590	355	90	1050
008 17 355110	355	110	1050
008 17 355125	355	125	1050
008 17 355140	355	140	1050
008 17 355160	355	160	1050
008 17 355180	355	180	1050
008 17 355200	355	200	1050

CODE	d1 [mm]	d2 [mm]	L [mm]
008 17 40032	400	32	1150
008 17 40040	400	40	1150
008 17 40050	400	50	1150
008 17 40063	400	63	1150
008 17 40075	400	75	1150
008 17 40090	400	90	1150
008 17 400110	400	110	1150
008 17 400125	400	125	1150
008 17 400140	400	140	1150
008 17 400160	400	160	1150
008 17 400180	400	180	1150
008 17 400200	400	200	1150
008 17 400225	400	225	1150
008 17 400250	400	250	1150
008 17 45032	450	32	1300
008 17 45040	450	40	1300
008 17 45050	450	50	1300
008 17 45063	450	63	1300
008 17 45075	450	75	1300
008 17 45090	450	90	1300
008 17 450110	450	110	1300
008 17 450125	450	125	1300
008 17 450140	450	140	1300
008 17 450160	450	160	1300
008 17 450180	450	180	1300
008 17 450200	450	200	1300
008 17 450225	450	225	1300
008 17 450250	450	250	1300
008 17 450280	450	280	1300
008 17 50032	500	32	1450