

PN10 SDR17 TAPPING TEE (90 DEGREES)

Material: PE100

Colour(s): Black, with a blue stripe

Operating pressure: 8 Bar (SDR17 PN8)

- A pressure reduction coefficient of 0.8 was applied.

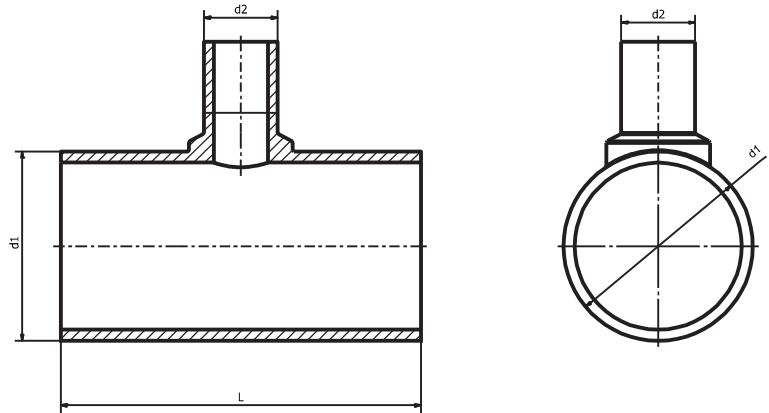
Standard tees can be reinforced to match the nominal pressure rating of the pipe. Ask us for a quotation.

Documents:

National Declaration of Performance

Standards: PN-EN 12201-3+A1:2013

Fittings approved by PZH (Polish Institute of Hygiene)



TAPPING TEE

CODE	d1 [mm]	d2 [mm]	L [mm]
008 17 50050	500	50	1450
008 17 50063	500	63	1450
008 17 50075	500	75	1450
008 17 50090	500	90	1450
008 17 500110	500	110	1450
008 17 500125	500	125	1450
008 17 500140	500	140	1450
008 17 500160	500	160	1450
008 17 500180	500	180	1450
008 17 500200	500	200	1450
008 17 500225	500	225	1450
008 17 500250	500	250	1450
008 17 500280	500	280	1450
008 17 500315	500	315	1450
008 17 56032	560	32	1650
008 17 56040	560	40	1650
008 17 56050	560	50	1650
008 17 56063	560	63	1650
008 17 56075	560	75	1650
008 17 56090	560	90	1650
008 17 560110	560	110	1650
008 17 560125	560	125	1650
008 17 560140	560	140	1650
008 17 560160	560	160	1650
008 17 560180	560	180	1650
008 17 560200	560	200	1650
008 17 560225	560	225	1650
008 17 560250	560	250	1650
008 17 560280	560	280	1650
008 17 560315	560	315	1650
008 17 560355	560	355	1650

CODE	d1 [mm]	d2 [mm]	L [mm]
008 17 63032	630	32	1700
008 17 63040	630	40	1700
008 17 63050	630	50	1700
008 17 63063	630	63	1700
008 17 63075	630	75	1700
008 17 63090	630	90	1700
008 17 630110	630	110	1700
008 17 630125	630	125	1700
008 17 630140	630	140	1700
008 17 630160	630	160	1700
008 17 630180	630	180	1700
008 17 630200	630	200	1700
008 17 630225	630	225	1700
008 17 630250	630	250	1700
008 17 630280	630	280	1700
008 17 630315	630	315	1700
008 17 630355	630	355	1700
008 17 710 ..	710	32-400	*
008 17 800 ..	800	32-400	*
008 17 900 ..	900	32-400	*
008 17 1000 ..	1000	32-400	*
008 17 1200 ..	1200	32-400	*

CODE: Remove the dots (..) and add the elbow degree.

*Ask us for a quotation.