

PN16 SDR11 TAPPING TEE (90 DEGREES)

Material: PE100

Colour(s): Black, with a blue stripe

Operating pressure: 12.8 Bar (SDR11 PN 12.8)

- A pressure reduction coefficient of 0.8 was applied.

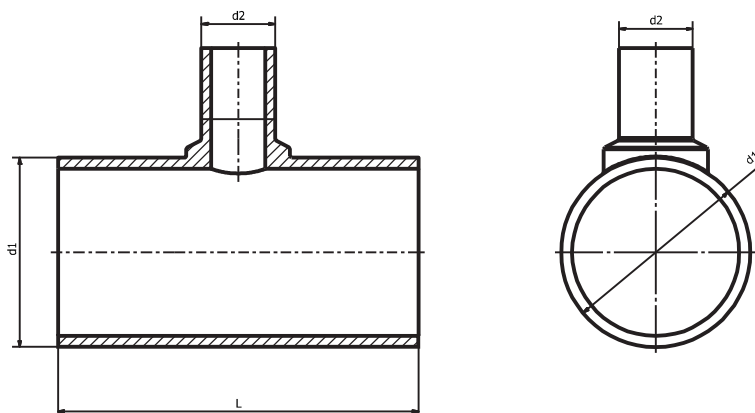
Standard tees can be reinforced to match the nominal pressure rating of the pipe. Ask us for a quotation.

Documents:

National Declaration of Performance

Standards: PN-EN 12201-3+A1:2013

Fittings approved by PZH (Polish Institute of Hygiene)



TAPPING TEE

CODE	d1 [mm]	d2 [mm]	L [mm]
008 11 9032	90	32	450
008 11 9040	90	40	450
008 11 11032	110	32	470
008 11 11040	110	40	470
008 11 11050	110	50	470
008 11 11063	110	63	470
008 11 11075	110	75	470
008 11 12532	125	32	525
008 11 12540	125	40	525
008 11 12550	125	50	525
008 11 12563	125	63	525
008 11 12575	125	75	525
008 11 14032	140	32	540
008 11 14040	140	40	540
008 11 14050	140	50	540
008 11 14063	140	63	540
008 11 14075	140	75	540
008 11 16032	160	32	600
008 11 16040	160	40	600
008 11 16050	160	50	600
008 11 16063	160	63	600
008 11 16075	160	75	600
008 11 16090	160	90	600
008 11 18032	180	32	620
008 11 18040	180	40	620
008 11 18050	180	50	620
008 11 18063	180	63	620
008 11 18075	180	75	620
008 11 18090	180	90	620
008 11 180110	180	110	620

CODE	d1 [mm]	d2 [mm]	L [mm]
008 11 20040	200	40	680
008 11 20050	200	50	680
008 11 20063	200	63	680
008 11 20075	200	75	680
008 11 20090	200	90	680
008 11 200110	200	110	680
008 11 200125	200	125	680
008 11 22532	225	32	705
008 11 22540	225	40	705
008 11 22550	225	50	705
008 11 22563	225	63	705
008 11 22575	225	75	705
008 11 22590	225	90	705
008 11 225110	225	110	705
008 11 225125	225	125	705
008 11 225140	225	140	705
008 11 25032	250	32	850
008 11 25040	250	40	850
008 11 25050	250	50	850
008 11 25063	250	63	850
008 11 25075	250	75	850
008 11 25090	250	90	850
008 11 250110	250	110	850
008 11 250125	250	125	850
008 11 250140	250	140	850
008 11 250160	250	160	850
008 11 28032	280	32	880
008 11 28040	280	40	880
008 11 28050	280	50	880
008 11 28063	280	63	880